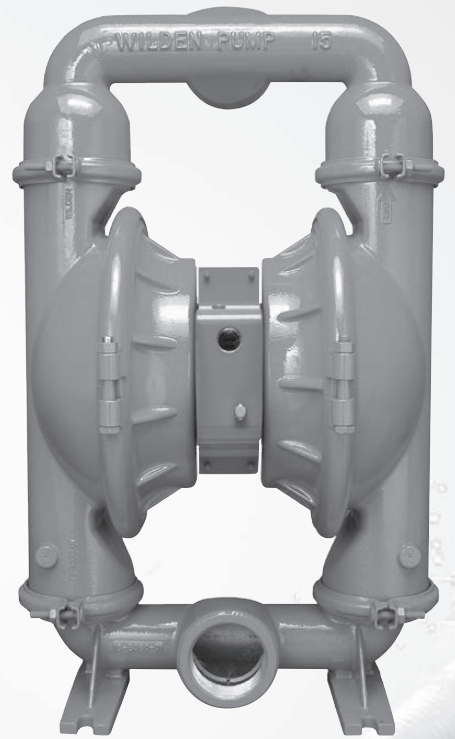


# WILDEN®

**EOM**  
Engineering  
Operation &  
Maintenance

**PS15**  
Original™ Metal Pump



Where Innovation Flows


[wildenpump.com](http://wildenpump.com)


  
**PSG**  
a **DOVER** company

**TABLE OF CONTENTS**

|                  |  |    |
|------------------|--|----|
| <b>SECTION 1</b> | <b>CAUTIONS—READ FIRST!</b> .....                                    | 1  |
| <b>SECTION 2</b> | <b>WILDEN PUMP DESIGNATION SYSTEM</b> .....                          | 2  |
| <b>SECTION 3</b> | <b>HOW IT WORKS—PUMP &amp; AIR DISTRIBUTION SYSTEM</b> .....         | 3  |
| <b>SECTION 4</b> | <b>DIMENSIONAL DRAWINGS</b> .....                                    | 4  |
| <b>SECTION 5</b> | <b>PERFORMANCE</b>   |    |
|                  | PS15 Rubber-Fitted .....   | 5  |
|                  | PS15 EZ-Install TPE-Fitted .....                                     | 5  |
|                  | PS15 Full-Stroke PTFE-Fitted .....                                   | 6  |
|                  | Suction-Lift Curves .....  | 7  |
| <b>SECTION 6</b> | <b>SUGGESTED INSTALLATION, OPERATION &amp; TROUBLESHOOTING</b> ..... | 8  |
| <b>SECTION 7</b> | <b>DISASSEMBLY / REASSEMBLY</b> .....                                | 11 |
|                  | Air Valve / Center Section Disassembly .....                         | 14 |
|                  | Reassembly Hints & Tips .....  | 18 |
| <b>SECTION 8</b> | <b>EXPLODED VIEW &amp; PARTS LISTING</b>                             |    |
|                  | PS15 Metal .....   | 20 |
|                  | PS15 Metal Saniflo™ 1935/2004/EC .....                               | 22 |
| <b>SECTION 9</b> | <b>ELASTOMER OPTIONS</b> .....                                       | 24 |

**CAUTIONS—READ FIRST!**

 **CAUTION:** Do not apply compressed air to the exhaust port — pump will not function.


 **CAUTION:** Do not over-lubricate air supply — excess lubrication will reduce pump performance. Pump is pre-lubed.


 **TEMPERATURE LIMITS:**


|   |                |                |
|---|----------------|----------------|
| Polypropylene                               | 0°C to 79°C    | 32°F to 175°F  |
| PVDF  | -12°C to 107°C | 10°F to 225°F  |
| PFA   | 7°C to 107°C   | 20°F to 225°F  |
| Neoprene                                    | -18°C to 93°C  | 0°F to 200°F   |
| Buna-N                                      | -12°C to 82°C  | 10°F to 180°F  |
| EPDM  | -51°C to 138°C | -60°F to 280°F |
| Viton® FKM                                  | -40°C to 177°C | -40°F to 350°F |
| Wil-Flex™                                   | -40°C to 107°C | -40°F to 225°F |
| Saniflex™                                   | -29°C to 104°C | -20°F to 220°F |
| Polyurethane                                | -12°C to 66°C  | 10°F to 150°F  |
| Polytetrafluoroethylene (PTFE) <sup>1</sup> | 4°C to 104°C   | 40°F to 220°F  |
| Nylon                                       | -18°C to 93°C  | 0°F to 200°F   |
| Acetal                                      | -29°C to 82°C  | -20°F to 180°F |
| SIPD PTFE with Neoprene-backed              | 4°C to 104°C   | 40°F to 220°F  |
| SIPD PTFE with EPDM-backed                  | 4°C to 137°C   | 40°F to 280°F  |
| Geolast®                                    | -40°C to 82°C  | -40°F to 180°F |


<sup>1</sup>4°C to 149°C (40°F to 300°F) - 13 mm (1/2") and 25 mm (1") models only.


**NOTE:** Not all materials are available for all models. Refer to Section 2 for material options for your pump.


 **CAUTION:** When choosing pump materials, be sure to check the temperature limits for all wetted components. Example: Viton® has a maximum limit of 177°C (350°F) but polypropylene has a maximum limit of only 79°C (175°F).


 **CAUTION:** Maximum temperature limits are based upon mechanical stress only. Certain chemicals will significantly reduce maximum safe operating temperatures. Consult Chemical Resistance Guide for chemical compatibility and temperature limits.


 **WARNING:** Prevent sparking — If static sparking occurs, fire or explosion could result. Pump, valves and containers must be grounded to a proper grounding point when handling flammable fluids and whenever discharge of static electricity is a hazard.


 **CAUTION:** Do not exceed 8.6 bar (125 psig) air supply pressure.


 **CAUTION:** The process fluid and cleaning fluids must be chemically compatible with all wetted pump components.


 **CAUTION:** Do not exceed 82°C (180°F) air inlet temperature for Pro-Flo® SHIFT models.


 **CAUTION:** Pumps should be thoroughly flushed before installing into process lines. FDA- and USDA-approved pumps should be cleaned and/or sanitized before being used.


 **CAUTION:** Always wear safety glasses when operating pump. If diaphragm rupture occurs, material being pumped may be forced out air exhaust.


 **CAUTION:** Before any maintenance or repair is attempted, the compressed air line to the pump should be disconnected and all air pressure allowed to bleed from pump. Disconnect all intake, discharge and air lines. Drain the pump by turning it upside down and allowing any fluid to flow into a suitable container.


 **CAUTION:** Blow out air line for 10 to 20 seconds before attaching to pump to make sure all pipeline debris is clear. Use an in-line air filter. A 5µ (micron) air filter is recommended.

 **NOTE:** When installing PTFE diaphragms, it is important to tighten outer pistons simultaneously (turning in opposite directions) to ensure tight fit. (See torque specifications in Section 7.)

 **NOTE:** Some PTFE-fitted pumps come standard from the factory with expanded PTFE gaskets installed in the diaphragm bead of the liquid chamber. PTFE gaskets cannot be re-used.

 **NOTE:** Before starting disassembly, mark a line from each liquid chamber to its corresponding air chamber. This line will assist in proper alignment during reassembly.

 **CAUTION:** Pro-Flo® pumps cannot be used in submersible applications. Pro-Flo® SHIFT pumps do have a single-point exhaust option for submersible applications. Do not use standard Pro-Flo® SHIFT models in submersible applications. Pro-Flo X™ and Turbo-Flo® pumps are also available in a single-point exhaust (submersible) configuration.

 **CAUTION:** Tighten all hardware prior to installation.



**WILDEN PUMP DESIGNATION SYSTEM**

**PS15 METAL**

**76 mm (3") Pump  
Maximum Flow Rate:  
927 lpm (245 gpm)**

**LEGEND**

**XPS15 / XXXXX / XXX / XX / XXX / XXXX**

MODEL

WETTED PARTS & OUTER PISTON  
AIR VALVE  
CENTER BLOCK  
AIR CHAMBERS

DIAPHRAGMS

VALVE BALLS

O-RINGS  
VALVE SEAT

SPECIALTY  
CODE  
(if applicable)

**MATERIAL CODES**

**MODEL**

XPS15 = PRO-FLO® SHIFT ATEX  
PS15 = PRO-FLO® SHIFT

**WETTED PARTS/OUTER PISTON**

AA = ALUMINUM / ALUMINUM  
AZ = ALUMINUM/NO PISTON  
SS = STAINLESS STEEL /  
STAINLESS STEEL  
SZ = STAINLESS STEEL/NO PISTON  
WS = DUCTILE IRON /  
STAINLESS STEEL  
WW = DUCTILE IRON / DUCTILE IRON  
WZ = DUCTILE IRON/NO PISTON

**AIR CHAMBERS**

A = ALUMINUM  
S = STAINLESS STEEL

**CENTER BLOCK**

A = ALUMINUM  
N = NICKEL-PLATED  
P = POLYPROPYLENE  
S = STAINLESS STEEL

**AIR VALVE**

A = ALUMINUM  
N = NICKEL-PLATED  
P = POLYPROPYLENE  
R = ANODIZED ALUMINUM  
S = STAINLESS STEEL

**DIAPHRAGMS**

BNS = BUNA-N (Red Dot)  
EPS = EPDM (Blue Dot)  
FWL = SANITARY WIL-FLEX™, IPD<sup>1,3</sup>  
FWS = SANITARY WIL-FLEX™,  
EZ-INSTALL<sup>1,3</sup> [Santoprene®  
(Two Orange Dots)]  
NES = NEOPRENE (Green Dot)  
TSS = FULL-STROKE PTFE<sup>1,2,3</sup>  
W/SANIFLEX™ BACK-UP  
TWS = FULL-STROKE PTFE<sup>1,2,3</sup>  
W/WIL-FLEX™ BACK-UP  
VTS = VITON® (White Dot)  
XBS = CONDUCTIVE BUNA-N  
(Two Red Dots)  
ZGS = GEOLAST®, EZ-INSTALL  
ZPS = POLYURETHANE, EZ-INSTALL  
ZSS = SANIFLEX™, EZ-INSTALL<sup>1,3</sup>  
ZWS = WIL-FLEX™, EZ-INSTALL

**VALVE BALLS**

BN = BUNA-N (Red Dot)  
EP = EPDM (Blue Dot)  
FS = SANIFLEX™ [Hytre® (Cream)]<sup>1,3</sup>  
FW = SANITARY WIL-FLEX™<sup>1,3</sup>  
[Santoprene®  
(Two Orange Dots)]  
NE = NEOPRENE (Green Dot)  
PU = POLYURETHANE (Brown)  
TF = PTFE (White)<sup>1,2,3</sup>  
VT = VITON® (Silver or White Dot)  
WF = WIL-FLEX™ [Santoprene®  
(Orange Dot)]

**VALVE SEAT**

A = ALUMINUM  
BN = BUNA-N (Red Dot)  
EP = EPDM (Blue Dot)  
FS = SANIFLEX™ [Hytre®  
(Cream)]<sup>1,3</sup>  
FW = SANITARY WIL-FLEX™<sup>1,3</sup>  
[Santoprene®  
(Two Orange Dots)]  
H = ALLOY C  
M = MILD STEEL  
NE = NEOPRENE (Green Dot)  
PU = POLYURETHANE (Brown)  
S = STAINLESS STEEL  
VT = VITON® (White Dot)  
WF = WIL-FLEX™ [Santoprene®  
(Orange Dot)]

**VALVE SEAT O-RING**

TF = PTFE (White)<sup>1,2,3</sup>

**NOTE:**

<sup>1</sup> Meets Requirements of FDA CFR21.177

<sup>2</sup> Meets Requirements of USP Class VI

<sup>3</sup> Meets Requirements of 1935/2004/EC

**SPECIALTY CODES**

0014 BSP  
0022 External SS fasteners  
0030 Screen Based  
0044 Stallion balls & seats only  
0070 Saniflo™ FDA  
0079 Tri-clamp fittings, wing nuts  
0080 Tri-clamp fittings, ONLY  
0100 Wil-Gard II 110V  
0102 Wil-Gard II sensor wires ONLY

0103 Wil-Gard II 220V  
0118 Stallion balls & seats only, BSPT  
0120 Saniflo™ FDA, Wil-Gard II 110V  
0319 Single-Point Exhaust center block, BSPT  
0320 Single-Point Exhaust center block  
0324 Single-Point Exhaust center block, Screen based  
0327 Single-Point Exhaust center block, Stallion externals, balls & seats  
0341 Single-Point Exhaust center block, Saniflo™ FDA  
0480 Pump Cycle Monitor (Sensor & Wires)

0070E Saniflo™ FDA (1935/2004/EC)  
0120E Saniflo™ FDA, Wil-Gard 110V (1935/2004/EC)  
0341E Single-Point Exhaust center block, Saniflo™ FDA (1935/2004/EC)

NOTE: Most elastomeric materials use colored dots for identification.

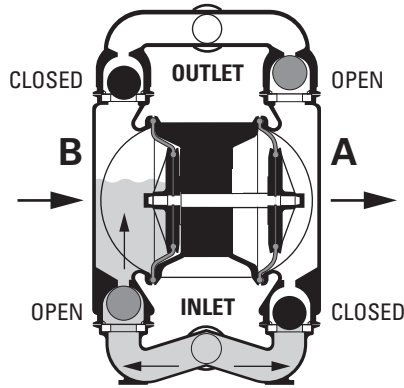
NOTE: Not all models are available with all material options.

Viton® is a registered trademark of DuPont Dow Elastomers.

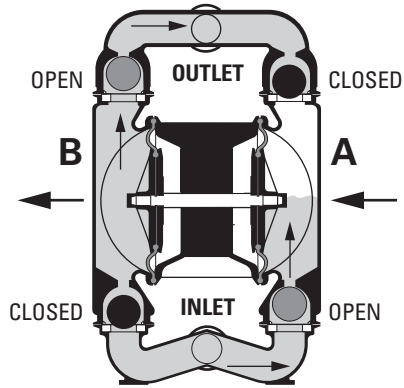


HOW IT WORKS—PUMP

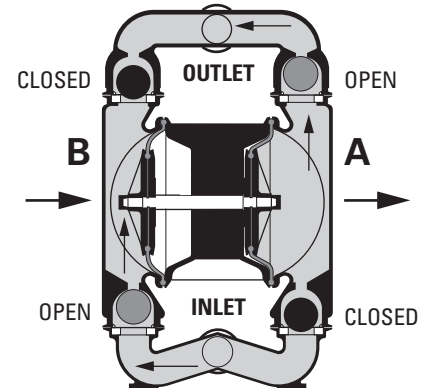
The Wilden diaphragm pump is an air-operated, positive displacement, self-priming pump. These drawings show flow pattern through the pump upon its initial stroke. It is assumed the pump has no fluid in it prior to its initial stroke.



**FIGURE 1** The air valve directs pressurized air to the back side of diaphragm A. The compressed air is applied directly to the liquid column separated by elastomeric diaphragms. The diaphragm acts as a separation membrane between the compressed air and liquid; a balanced load removes mechanical stress from the diaphragm. The compressed air moves the diaphragm away from the center of the pump. The opposite diaphragm is pulled in by the shaft connected to the pressurized diaphragm. Diaphragm B is on its suction stroke; air behind the diaphragm has been forced out to atmosphere through the exhaust port of the pump. The movement of diaphragm B toward the center of the pump creates a vacuum within chamber B. Atmospheric pressure forces fluid into the inlet manifold forcing the inlet valve ball off its seat. Liquid is free to move past the inlet valve ball and fill the liquid chamber (see shaded area).



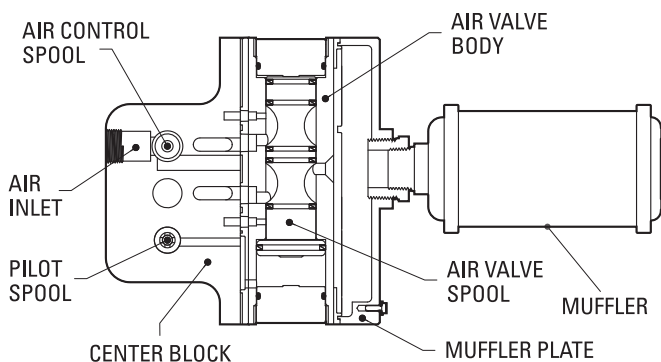
**FIGURE 2** When the pressurized diaphragm, diaphragm A, reaches the limit of its discharge stroke, the air valve redirects pressurized air to the back side of diaphragm B. The pressurized air forces diaphragm B away from the center while pulling diaphragm A to the center. Diaphragm B is now on its discharge stroke. Diaphragm B forces the inlet valve ball onto its seat due to the hydraulic forces developed in the liquid chamber and manifold of the pump. These same hydraulic forces lift the discharge valve ball off its seat, forcing fluid to flow through the pump discharge. The movement of diaphragm A toward the center of the pump creates a vacuum within liquid chamber A. Atmospheric pressure forces fluid into the inlet manifold of the pump. The inlet valve ball is forced off its seat allowing the fluid being pumped to fill the liquid chamber.



**FIGURE 3** At completion of the stroke, the air valve again redirects air to the back side of diaphragm A, which starts diaphragm B on its exhaust stroke. As the pump reaches its original starting point, each diaphragm has gone through one exhaust and one discharge stroke. This constitutes one complete pumping cycle. The pump may take several cycles to completely prime depending on the conditions of the application.



HOW IT WORKS—AIR DISTRIBUTION SYSTEM

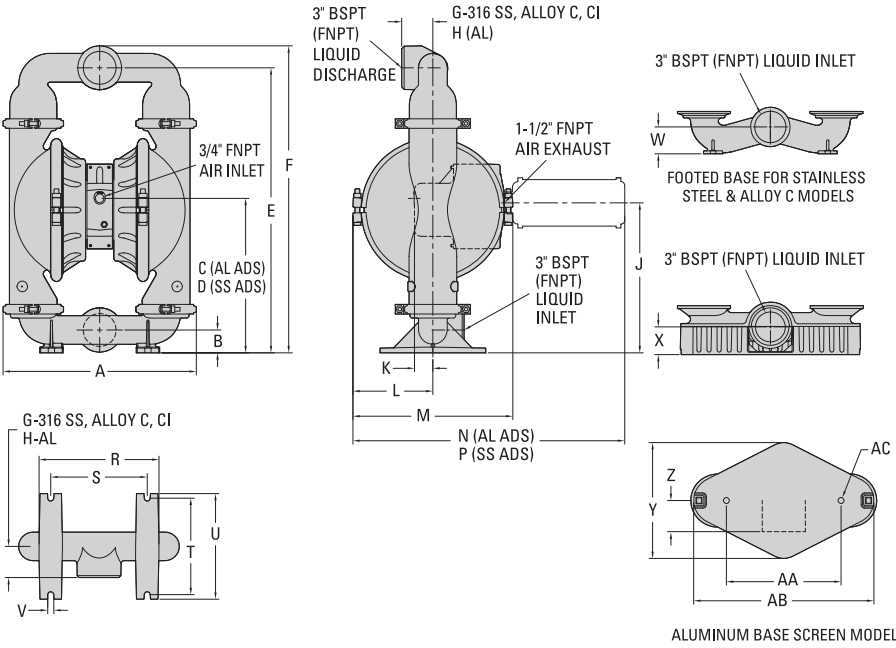


The heart of the patented Pro-Flo® SHIFT Air Distribution System (ADS) is the air valve assembly. The air valve design incorporates an unbalanced spool with the small end of the spool being pressurized continuously while the large end of the spool is alternately pressurized, then exhausted to move the spool. The air valve spool directs pressurized air to one chamber while exhausting the other. The air forces the main shaft/diaphragm assembly to move to one side – discharging liquid on that side and pulling liquid in on the other side. When the shaft reaches the end of the stroke, the inner piston actuates the pilot spool, which controls the air to the large end of the air valve spool. The repositioning of the air valve spool routes the air to the other air chamber. The air control spool allows air to flow freely into the air chamber for the majority of each pump stroke, but it significantly restricts the flow of air into the air chamber when activated by the inner piston near the end of the each stroke.



**DIMENSIONAL DRAWINGS**

**PS15 Metal**

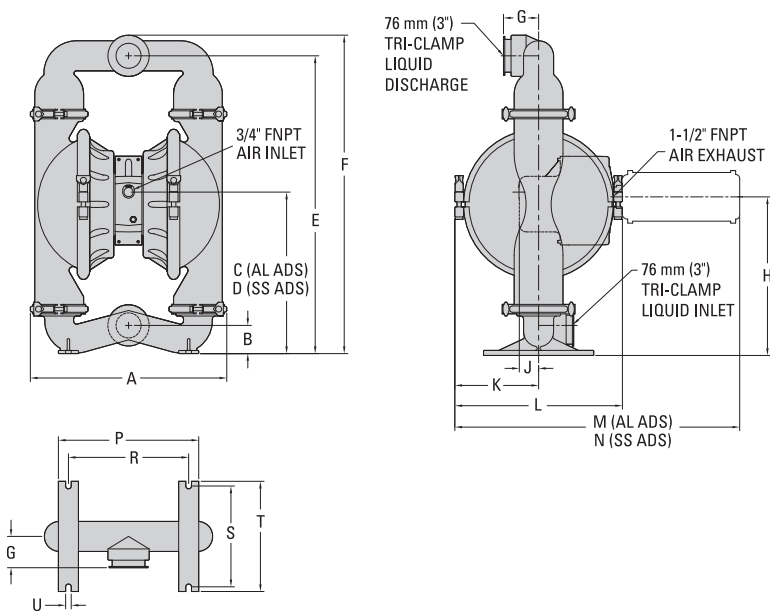


**DIMENSIONS**

| ITEM | METRIC (mm) | STANDARD (inch) |
|------|-------------|-----------------|
| A    | 514         | 20.2            |
| B    | 61          | 2.4             |
| C    | 411         | 16.2            |
| D    | 416         | 16.4            |
| E    | 758         | 29.8            |
| F    | 816         | 32.1            |
| G    | 70          | 2.8             |
| H    | 83          | 3.3             |
| J    | 399         | 15.7            |
| K    | 49          | 1.9             |
| L    | 213         | 8.4             |
| M    | 425         | 16.7            |
| N    | 722         | 28.4            |
| P    | 710         | 28.0            |
| R    | 319         | 12.5            |
| S    | 307         | 12.1            |
| T    | 257         | 10.1            |
| U    | 281         | 11.1            |
| V    | 16          | 0.6             |
| W    | 71          | 2.8             |
| X    | 74          | 2.9             |
| Y    | 308         | 12.1            |
| Z    | 83          | 3.3             |
| AA   | 305         | 12.0            |
| AB   | 480         | 18.9            |
| AC   | 16 DIA.     | 0.6 DIA         |

LW0254 REV. B

**PS15 Metal Saniflo™**



**DIMENSIONS**

| ITEM | METRIC (mm) | STANDARD (inch) |
|------|-------------|-----------------|
| A    | 521         | 20.5            |
| B    | 71          | 2.8             |
| C    | 409         | 16.1            |
| D    | 414         | 16.3            |
| E    | 767         | 30.2            |
| F    | 810         | 31.9            |
| G    | 89          | 3.5             |
| H    | 401         | 15.8            |
| J    | 48          | 1.9             |
| K    | 216         | 8.5             |
| L    | 424         | 16.7            |
| M    | 722         | 28.4            |
| N    | 709         | 27.9            |
| P    | 356         | 14.0            |
| R    | 305         | 12.0            |
| S    | 257         | 10.1            |
| T    | 279         | 11.0            |
| U    | 15 DIA.     | 0.6 DIA.        |

LW0255 REV. A





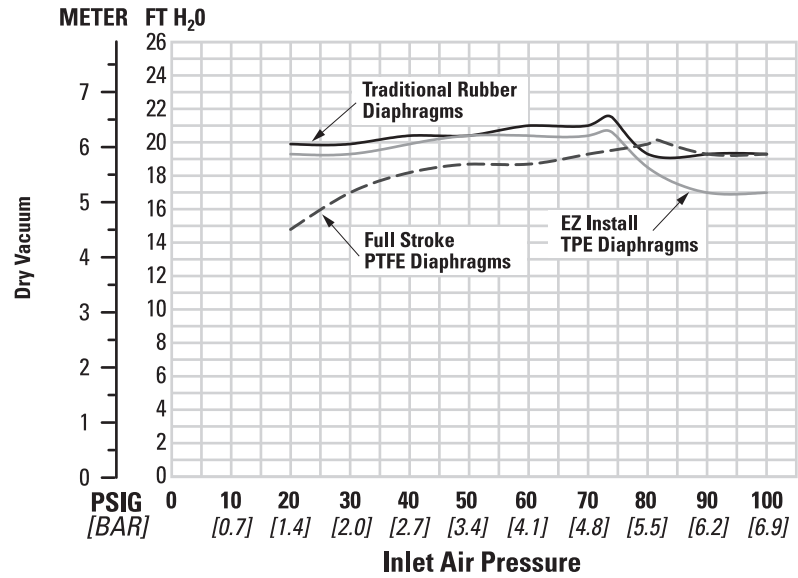




**SUCTION-LIFT CURVES**

**PS15 METAL  
SUCTION-LIFT  
CAPABILITY**

Suction-lift curves are calibrated for pumps operating at 305 m (1,000') above sea level. This chart is meant to be a guide only. There are many variables that can affect your pump's operating characteristics. The number of intake and discharge elbows, viscosity of pumping fluid, elevation (atmospheric pressure) and pipe friction loss all affect the amount of suction lift your pump will attain.





## SUGGESTED INSTALLATION

Wilden pumps are designed to meet the performance requirements of even the most demanding pumping applications. They have been designed and manufactured to the highest standards and are available in a variety of liquid-path materials to meet your chemical-resistance needs. Refer to the performance section of this manual for an in-depth analysis of the performance characteristics of your pump. Wilden offers the widest variety of elastomer options in the industry to satisfy temperature, chemical-compatibility, abrasion-resistance and flex concerns.

The suction pipe size should be at least the equivalent or larger than the diameter size of the suction inlet on your Wilden pump. The suction hose must be non-collapsible, reinforced type as these pumps are capable of pulling a high vacuum. Discharge piping should also be the equivalent or larger than the diameter of the pump discharge which will help reduce friction losses. It is critical that all fittings and connections are airtight or a reduction or loss of pump suction capability will result.

**INSTALLATION:** Months of careful planning, study and selection efforts can result in unsatisfactory pump performance if installation details are left to chance.

Premature failure and long-term dissatisfaction can be avoided if reasonable care is exercised throughout the installation process.

**LOCATION:** Noise, safety and other logistical factors usually dictate where equipment will be situated on the production floor. Multiple installations with conflicting requirements can result in congestion of utility areas, leaving few choices for additional pumps.

Within the framework of these and other existing conditions, every pump should be located in such a way that six key factors are balanced against each other to maximum advantage.

**ACCESS:** First of all, the location should be accessible. If it's easy to reach the pump, maintenance personnel will have an easier time carrying out routine inspections and adjustments. Should major repairs become necessary, ease of access can play a key role in speeding the repair process and reducing total downtime.

**AIR SUPPLY:** Every pump location should have an air line large enough to supply the volume of air necessary to achieve the desired pumping rate. Use air pressure up to a maximum of 8.6 bar (125 psig) depending on pumping requirements.

For best results, the pumps should use a 5 $\mu$  (micron) air filter, needle valve and regulator. The use of an air filter before the pump will ensure that the majority of any pipeline contaminants will be eliminated.

**SOLENOID OPERATION:** When operation is controlled by a solenoid valve in the air line, three-way valves should be used. This valve allows trapped air between the valve and the pump to bleed off which improves pump performance. Pumping volume can be estimated by counting the number of strokes per minute and then multiplying the figure by the displacement per stroke.

**MUFFLER:** Sound levels are reduced below OSHA

specifications using the standard Wilden muffler. Other mufflers can be used to further reduce sound levels, but they usually reduce pump performance.

**ELEVATION:** Selecting a site that is well within the pump's dynamic-lift capability will ensure that loss-of-prime issues will be eliminated. In addition, pump efficiency can be adversely affected if proper attention is not given to site location.

**PIPING:** Final determination of the pump site should not be made until the piping challenges of each possible location have been evaluated. The impact of current and future installations should be considered ahead of time to make sure that inadvertent restrictions are not created for any remaining sites.

The best choice possible will be a site involving the shortest and straightest hookup of suction and discharge piping. Unnecessary elbows, bends and fittings should be avoided. Pipe sizes should be selected to keep friction losses within practical limits. All piping should be supported independently of the pump. In addition, the piping should be aligned to avoid placing stress on the pump fittings.

Flexible hose can be installed to aid in absorbing the forces created by the natural reciprocating action of the pump. If the pump is to be bolted down to a solid location, a mounting pad placed between the pump and the foundation will assist in minimizing pump vibration. Flexible connections between the pump and rigid piping will also assist in minimizing pump vibration. If quick-closing valves are installed at any point in the discharge system, or if pulsation within a system becomes a problem, a surge suppressor (SD Equalizer®) should be installed to protect the pump, piping and gauges from surges and water hammer.

If the pump is to be used in a self-priming application, make sure that all connections are airtight and that the suction lift is within the model's capability. **NOTE:** Materials of construction and elastomer material have an effect on suction lift parameters. Please refer to the performance section for specifics.

When pumps are installed in applications involving flooded suction or suction head pressures, a gate valve should be installed in the suction line to permit closing of the line for pump service.

Pumps in service with a positive suction head are most efficient when inlet pressure is limited to 0.5–0.7 bar (7–10 psig). Premature diaphragm failure may occur if positive suction is 0.7 bar (10 psig) and higher.

**SUBMERSIBLE APPLICATIONS:** Pro-Flo® SHIFT pumps can be used for submersible applications when using the Pro-Flo® SHIFT's single-point exhaust option. Pro-Flo X™ and Turbo-Flo® Pumps are also available in a single-point exhaust (submersible) configuration.

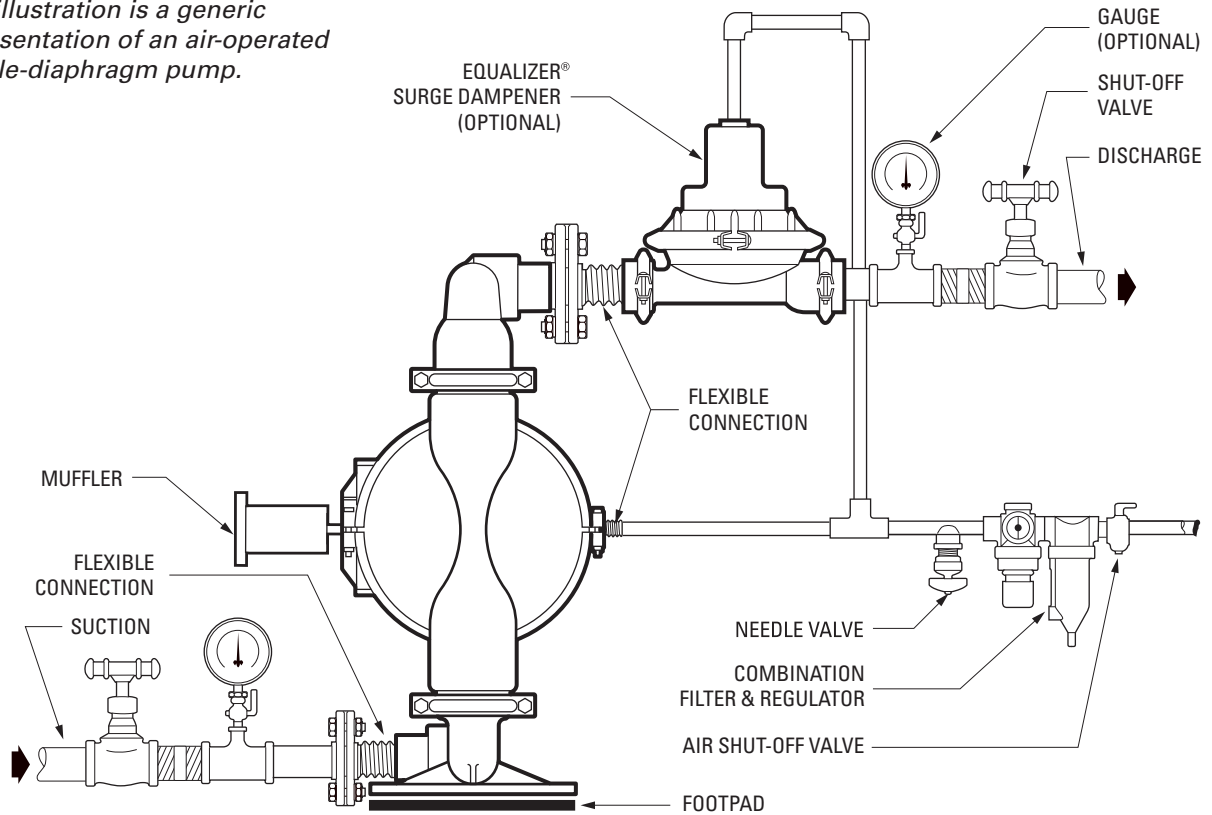
**NOTE:** Pro-Flo® and Accu-Flo™ pumps do not have a single-point exhaust option and are not submersible.

**ALL WILDEN PUMPS ARE CAPABLE OF PASSING SOLIDS. A STRAINER SHOULD BE USED ON THE PUMP INTAKE TO ENSURE THAT THE PUMP'S RATED SOLIDS CAPACITY IS NOT EXCEEDED.**

**CAUTION: DO NOT EXCEED 8.6 BAR (125 PSIG) AIR SUPPLY PRESSURE.**

**SUGGESTED INSTALLATION**

*This illustration is a generic representation of an air-operated double-diaphragm pump.*



**NOTE:** In the event of a power failure, the shut-off valve should be closed, if the restarting of the pump is not desirable once power is regained.

**AIR-OPERATED PUMPS:** To stop the pump from operating in an emergency situation, simply close the

shut-off valve (user supplied) installed in the air supply line. A properly functioning valve will stop the air supply to the pump, therefore stopping output. This shut-off valve should be located far enough away from the pumping equipment such that it can be reached safely in an emergency situation.



## SUGGESTED OPERATION & MAINTENANCE

**OPERATION:** The Pro-Flo® SHIFT pumps are pre-lubricated and do not require in-line lubrication. Additional lubrication will not damage the pump; however if the pump is heavily lubricated by an external source, the pump's internal lubrication may be washed away. If the pump is then moved to a non-lubricated location, it may need to be disassembled and re-lubricated as described in the DISASSEMBLY/REASSEMBLY INSTRUCTIONS.

Pump discharge rate can be controlled by limiting the volume and/or pressure of the air supply to the pump. An air regulator is used to regulate air pressure. A needle valve is used to regulate volume. Pump discharge rate can also be controlled by throttling the pump discharge by partially closing a valve in the discharge line of the pump. This action increases friction loss which reduces flow rate. (See Section 5.) This is useful when the need exists to control the pump from a remote location. When the pump discharge pressure equals or exceeds the air supply pressure, the pump will stop; no bypass or pressure relief valve is needed, and pump damage will not occur. The pump has reached a "deadhead" situation

and can be restarted by reducing the fluid discharge pressure or increasing the air inlet pressure. Wilden Pro-Flo® SHIFT pumps run solely on compressed air and do not generate heat; therefore, your process fluid temperature will not be affected.

**MAINTENANCE AND INSPECTIONS:** Since each application is unique, maintenance schedules may be different for every pump. Frequency of use, line pressure, viscosity and abrasiveness of process fluid all affect the parts life of a Wilden pump. Periodic inspections have been found to offer the best means for preventing unscheduled pump downtime. Personnel familiar with the pump's construction and service should be informed of any abnormalities that are detected during operation.

**RECORDS:** When service is required, a record should be made of all necessary repairs and replacements. Over a period of time, such records can become a valuable tool for predicting and preventing future maintenance problems and unscheduled downtime. In addition, accurate records make it possible to identify pumps that are poorly suited to their applications.

## TROUBLESHOOTING

### ***Pump will not run or runs slowly.***

1. Ensure that the air inlet pressure is at least 0.4 bar (5 psig) above startup pressure and that the differential pressure (the difference between air inlet and liquid discharge pressures) is not less than 0.7 bar (10 psig).
2. Check air inlet filter for debris (see SUGGESTED INSTALLATION).
3. Check for extreme air leakage (blow by) which would indicate worn seals/bores in the air valve, pilot spool and main shaft.
4. Disassemble pump and check for obstructions in the air passageways or objects which would obstruct the movement of internal parts.
5. Check for sticking ball check valves. If material being pumped is not compatible with pump elastomers, swelling may occur. Replace ball check valves and seals with proper elastomers. Also, as the check valve balls wear out, they become smaller and can become stuck in the seats. In this case, replace balls and seats.
6. Check for broken inner piston which will cause the air valve spool to be unable to shift.
7. Remove plug from pilot spool exhaust.

### ***Pump runs but little or no product flows.***

1. Check for pump cavitation; slow pump speed down to allow thick material to flow into liquid chambers.

2. Verify that vacuum required to lift liquid is not greater than the vapor pressure of the material being pumped (cavitation).
3. Check for sticking ball check valves. If material being pumped is not compatible with pump elastomers, swelling may occur. Replace ball check valves and seats with proper elastomers. Also, as the check valve balls wear out, they become smaller and can become stuck in the seats. In this case, replace balls and seats.

### ***Pump air valve freezes.***

1. Check for excessive moisture in compressed air. Either install a dryer or hot air generator for compressed air. Alternatively, a coalescing filter may be used to remove the water from the compressed air in some applications.

### ***Air bubbles in pump discharge.***

1. Check for ruptured diaphragm.
2. Check tightness of outer pistons (refer to Section 7).
3. Check tightness of fasteners and integrity of O-rings and seals, especially at intake manifold.
4. Ensure pipe connections are airtight.

### ***Product comes out air exhaust.***

1. Check for diaphragm rupture.
2. Check tightness of outer pistons to shaft.



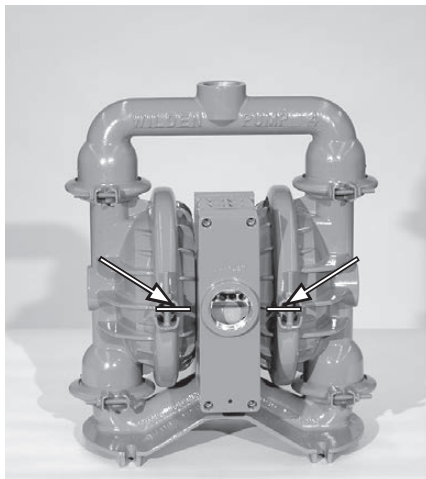
## PUMP DISASSEMBLY

**Tools Required:**

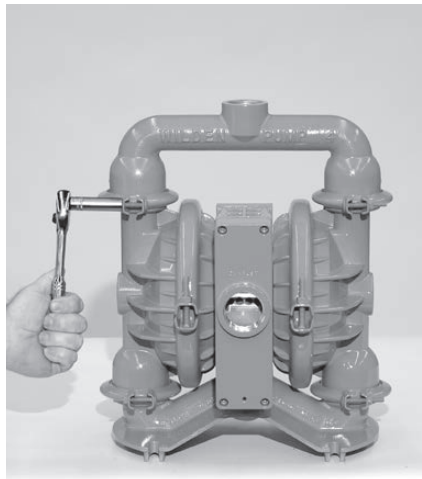
- Appropriate-sized Wrench
- Adjustable Wrench
- Vise equipped w/ soft jaws (such as plywood, plastic or other suitable material)

**CAUTION:** Before any maintenance or repair is attempted, the compressed air line to the pump should be disconnected and all air pressure allowed to bleed from the pump. Disconnect all intake, discharge and air lines. Drain the pump by turning it upside down and allowing any fluid to flow into a suitable container. Be aware of any hazardous effects of contact with your process fluid.

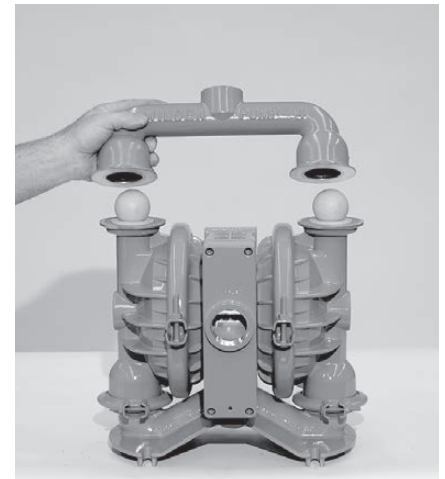
**NOTE:** The model photographed is an aluminum PS4 38 mm (1-1/2") pump. Your specific pump model may vary from configuration shown.

**Step 1**

Before starting disassembly, mark a line from each liquid chamber to its corresponding air chamber. This line will assist in proper alignment during reassembly.

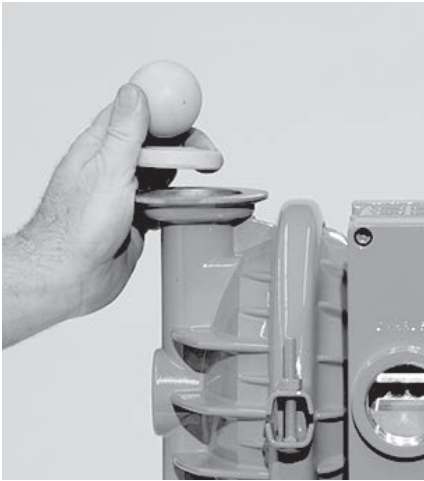
**Step 2**

Using an appropriate-sized wrench, remove the two (2) small clamp bands that fasten the discharge manifold to the liquid chambers.

**Step 3**

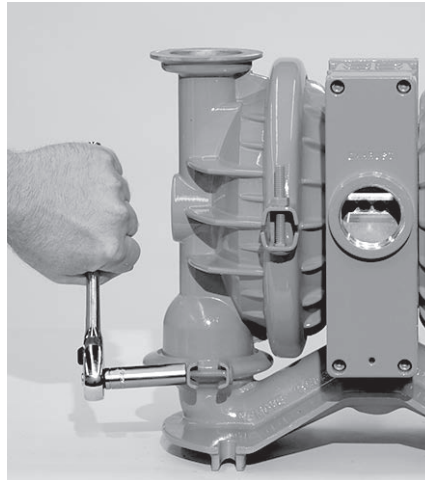
Lift the discharge manifold to expose discharge valve balls and valve seats. Inspect ball cage area of manifold for excessive wear or damage.

**PUMP DISASSEMBLY**



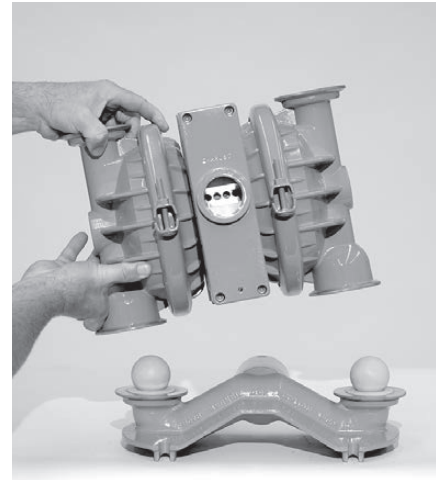
**Step 4**

Remove the discharge valve balls and valve seats from the liquid chambers and inspect for nicks, chemical attack or abrasive wear. Replace worn parts with genuine Wilden parts for reliable performance.



**Step 5**

Using an appropriate-sized wrench, remove the two (2) small clamp bands that fasten the inlet manifold to the liquid chambers.



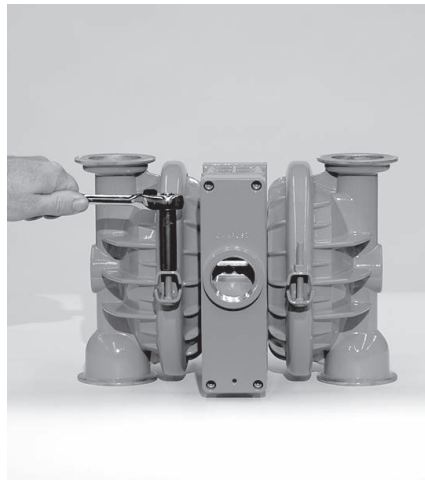
**Step 6**

Lift the liquid chambers and center section assembly from the inlet manifold to expose the inlet valve balls and valve seats. Inspect ball cage area of inlet manifold for excessive wear or damage.



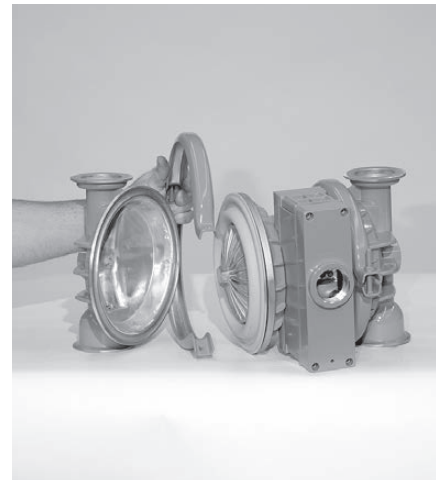
**Step 7**

Remove the inlet valve balls and valve seats from the inlet manifold and inspect for nicks, chemical attack or abrasive wear. Replace worn parts with genuine Wilden parts for reliable performance.



**Step 8**

Using an appropriate-sized wrench, remove one set of large clamp bands that secure one liquid chamber to the center section.



**Step 9**

Pull liquid chamber away from the center section to expose diaphragm and outer piston. Remove other side of the liquid chamber from center section.





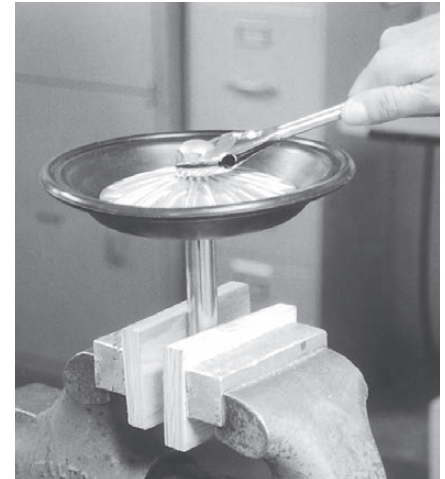
**Step 10**

Using two adjustable wrenches, turn the outer diaphragm pistons in a counter-clockwise direction to remove the diaphragm assembly from center block. Inspect diaphragm assembly and shaft for signs of wear or chemical attack. Replace all worn parts with genuine Wilden parts for reliable performance.



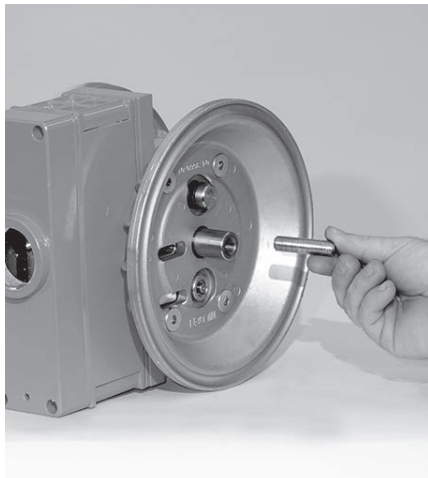
**Step 11**

Inspect the diaphragm assembly for wear, damage or chemical attack. Replace any damaged components with genuine Wilden parts for reliable performance.



**Step 12**

To remove diaphragm assembly from shaft, secure shaft with soft jaws (aluminum, plastic or plywood) to ensure the shaft is not damaged. Using an adjustable wrench, remove the diaphragm assembly from the shaft.



**Step 13**

Remove outer piston and stud if equipped. Inspect for wear and replace if necessary.

## AIR VALVE / CENTER SECTION DISASSEMBLY

### Tools Required:

- Appropriate-sized Wrenches
- Snap-Ring Pliers
- O-Ring Pick

**CAUTION:** Before any maintenance or repair is attempted, the compressed air line to the pump should be disconnected and all air pressure allowed to bleed from the pump. Disconnect all intake, discharge and air lines. Drain the pump by turning it upside down and allowing any fluid to flow into a suitable container. Be aware of hazardous effects of contact with your process fluid.

The Wilden Pro-Flo® SHIFT metal pumps utilize the revolutionary Pro-Flo® SHIFT air distribution system. Proprietary composite seals reduce the coefficient of friction and allow the Pro-Flo® SHIFT to run lube-free. The Pro-Flo® SHIFT air distribution system is designed to perform in on/off, non-freezing, non-stalling, tough duty applications.



**Step 1**

Using a pair of snap-ring pliers, remove the snap-ring from pilot sleeve.



**Step 2**

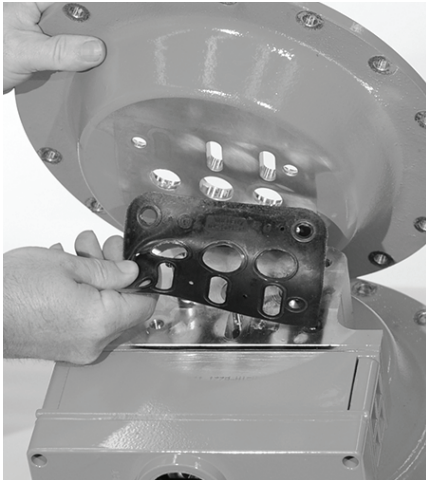
Using an O-ring pick, remove O-ring from modulator spool.



**Step 3**

Using the appropriate-sized hex wrench, loosen and remove the fasteners that attach the air chamber to center section.

## AIR VALVE / CENTER SECTION DISASSEMBLY



### Step 4

Lift away air chamber from center section and remove center block gasket. Replace gasket if necessary.



### Step 5

Turn assembly over and remove the pilot spool sleeve from the center section.



### Step 6

Using an O-ring pick, gently remove the O-ring from the opposite side of the dimpled end of the pilot spool.



### Step 7

Gently remove the pilot spool from the sleeve and inspect for nicks, wear or damage. Replace the pilot spool assembly or sleeve O-rings if necessary. During reassembly, never insert the dimpled end of the pilot spool first, this will damage the single urethane O-ring by passing it over the ports in the pilot sleeve.

**NOTE:** Seals should not be removed from the assembly. Seals are not sold separately.



### Step 8

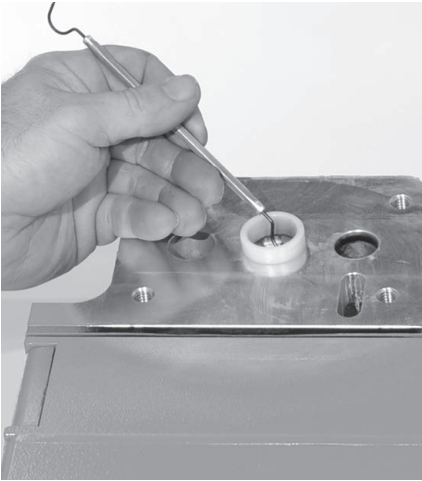
Remove modulator spool from center section. Check for wear to spool or O-rings and replace if necessary.



### Step 9

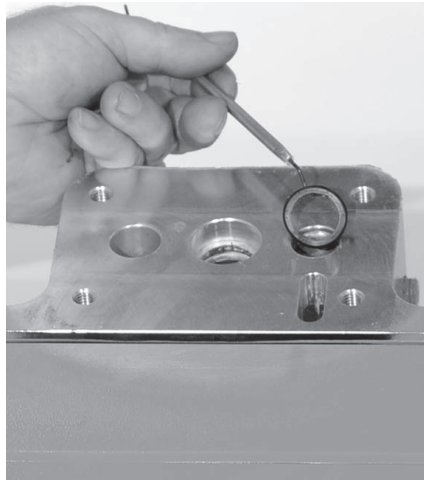
Using the appropriate-sized wrench, loosen fasteners and lift away remaining air chamber and center block gasket from center section. Replace gasket if necessary.

## AIR VALVE / CENTER SECTION DISASSEMBLY



### Step 10

Using an O-ring pick, remove the two (2) shaft bushings from center block. Inspect and replace if necessary. Using an O-ring pick, gently remove the two (2) Glyd™ rings from the center block. Inspect and replace if necessary.



### Step 11

Using an O-ring pick, remove the two (2) Glyd™ rings from modulator spool bore. Inspect and replace if necessary.



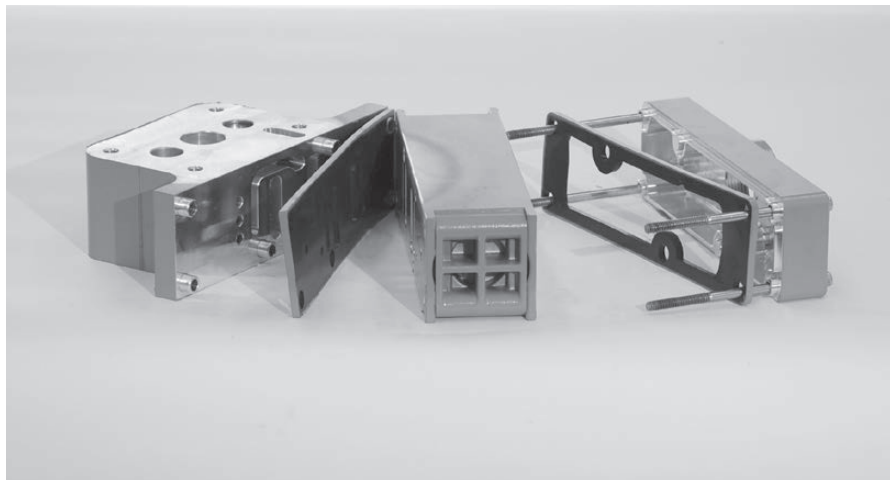
### Step 12

Using an appropriate-sized wrench, remove the pilot exhaust muffler. Inspect for damage or contamination and replace if necessary.



### Step 13

Using an appropriate-sized hex wrench, loosen and remove the four (4) air valve bolts from center section assembly.

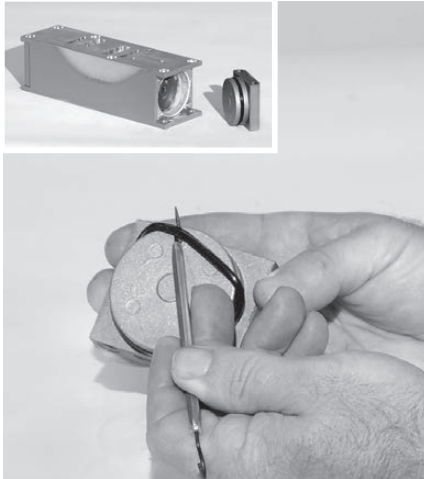


### Step 14

Lift away muffer plate and muffer plate gasket from center block. Inspect for wear and replace if necessary. Lift away the air valve assembly and remove air valve gasket. Inspect the gasket and replace if necessary.

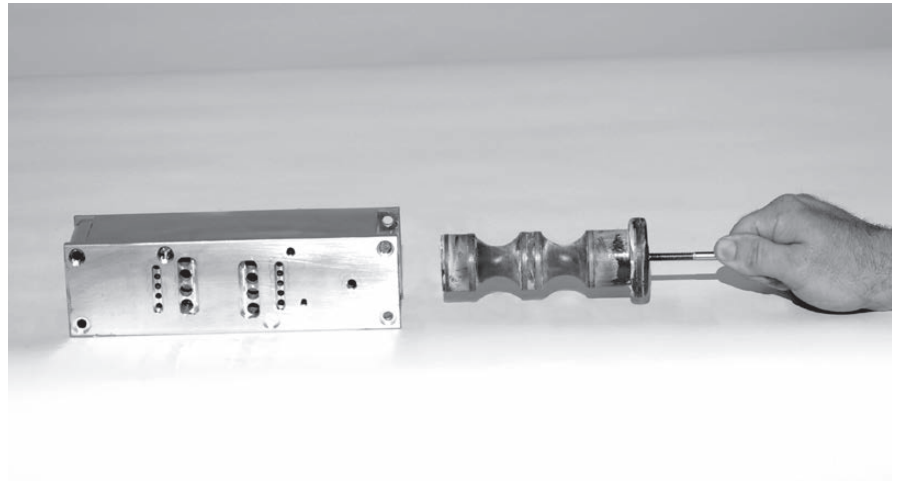


## AIR VALVE / CENTER SECTION DISASSEMBLY



### Step 15

Remove air valve end cap to expose air valve spool by lifting up on end cap. Inspect O-ring on end cap using an O-ring pick. Replace O-ring(s) if necessary. **NOTE:** The Pro-Flo® SHIFT air valve incorporates an end cap at both ends of the air valve.

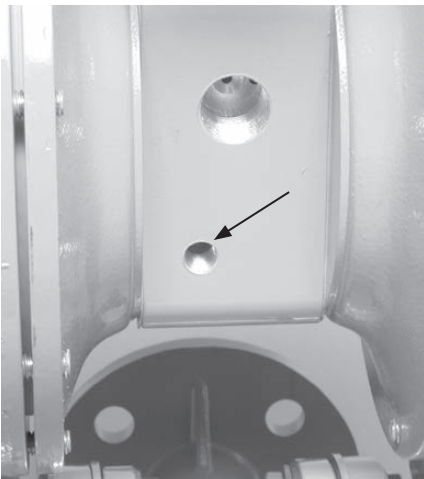


### Step 16

Remove the air valve spool from the air valve body by threading one air valve bolt into the end of the air valve spool and gently sliding the spool out of the air valve body. Inspect seals for signs of wear and replace the entire air valve assembly if necessary. Re-insert the spool immediately into air valve body after inspection as the seals expand and cannot be reinserted after a length of time.

**NOTE:** Seals should not be removed from the assembly. Seals are not sold separately.

## SINGLE-POINT EXHAUST PRO-FLO® SHIFT



### Step 1

Remove pilot exhaust muffler in pilot bleed port located at the front of the center block. Install 1/4" NPT pipe plug (00-7010-08) into bleed port.



Standard



Single-Point Exhaust

### Step 2

Next, install an optional single-point exhaust gasket (04-2638-52). The single-point air valve gasket can be purchased as a spare part or included with the purchase of a new Pro-Flo® SHIFT pump.

## REASSEMBLY HINTS & TIPS

### ASSEMBLY:

Upon performing applicable maintenance to the air distribution system, the pump can now be reassembled. Please refer to the disassembly instructions for photos and parts placement. To reassemble the pump, follow the disassembly instructions in reverse order. The air distribution system needs to be assembled first, then the diaphragms and finally the wetted path. Please find the applicable torque specifications on this page. The following tips will assist in the assembly process.

- Lubricate air valve bore, center section shaft and pilot spool bore with NLGI grade 2 white EP bearing grease or equivalent.
- Clean the inside of the center section shaft bore to ensure no damage is done to new shaft seals.
- A small amount of NLGI grade 2 white EP bearing grease can be applied to the muffler and air valve gaskets to lubricate gaskets during assembly.
- Make sure that the exhaust port on the muffler plate is centered between the two exhaust ports on the center section.
- Stainless steel bolts should be lubed to reduce the possibility of seizing during tightening.

### PRO-FLO® SHIFT MAXIMUM TORQUE SPECIFICATIONS

| Description of Part                   | Torque               |
|---------------------------------------|----------------------|
| Air Valve (Aluminum, Stainless Steel) | 13.6 N•m (120 in-lb) |
| Air Valve (Polypropylene)             | 5.1 N•m (45 in-lb)   |
| Air Chamber/Center Block              | 27.1 N•m (20 ft-lb)  |
| Inner Piston Ring                     | 19.0 N•m (14 ft-lb)  |
| Outer Pistons, Rubber & PTFE          | 136 N•m (100 ft-lb)  |
| Small Clamp Bands                     | 15.5 N•m (137 in-lb) |
| Large Clamp Bands (Rubber-fitted)     | 61.0 N•m (45 ft-lb)  |
| Large Clamp Bands (PTFE-fitted)       | 61.0 N•m (45 ft-lb)  |

### SHAFT SEAL INSTALLATION:

#### PRE-INSTALLATION

- Once all of the old seals have been removed, the inside of the bushing should be cleaned to ensure no debris is left that may cause premature damage to the new seals.

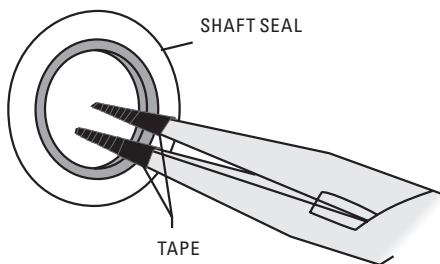
#### INSTALLATION

The following tools can be used to aid in the installation of the new seals:

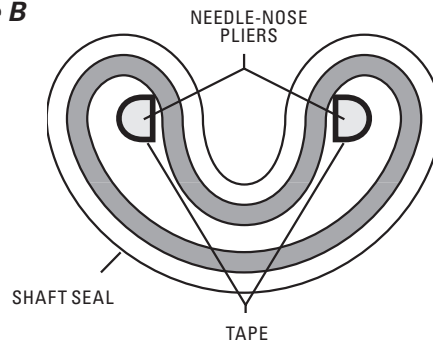
Needle-Nose Pliers  
Phillips Screwdriver  
Electrical Tape

- Wrap electrical tape around each leg of the needle-nose pliers (heat shrink tubing may also be used). This is done to prevent damaging the inside surface of the new seal.
- With a new seal in hand, place the two legs of the needle-nose pliers inside the seal ring. (See Figure A.)
- Open the pliers as wide as the seal diameter will allow, then with two fingers pull down on the top portion of the seal to form a kidney shape. (See Figure B.)
- Lightly clamp the pliers together to hold the seal into the kidney shape. Be sure to pull the seal into as tight of a kidney shape as possible, this will allow the seal to travel down the bushing bore with greater ease.
- With the seal clamped in the pliers, insert the seal into the bushing bore and position the bottom of the seal into the correct groove. Once the bottom of the seal is seated in the groove, release the clamp pressure on the pliers. This will allow the seal to partially snap back to its original shape.
- After the pliers are removed, you will notice a slight bump in the seal shape. Before the seal can be properly resized, the bump in the seal should be removed as much as possible. This can be done with either the Phillips screwdriver or your finger. With either the side of the screwdriver or your finger, apply light pressure to the peak of the bump. This pressure will cause the bump to be almost completely eliminated.
- Lubricate the edge of the shaft with NLGI grade 2 white EP bearing grease.
- Slowly insert the center shaft with a rotating motion. This will complete the resizing of the seal.
- Perform these steps for the remaining seal.

**Figure A**



**Figure B**





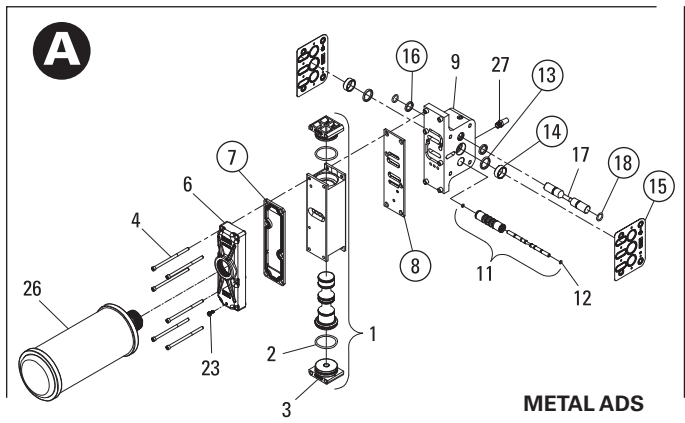
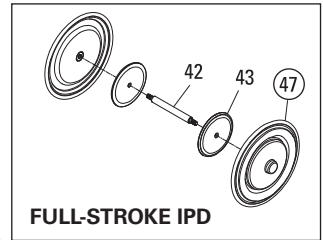
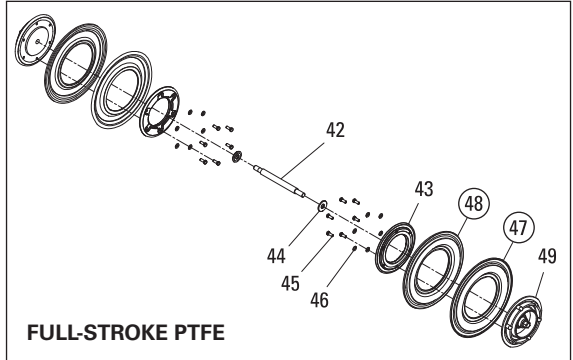
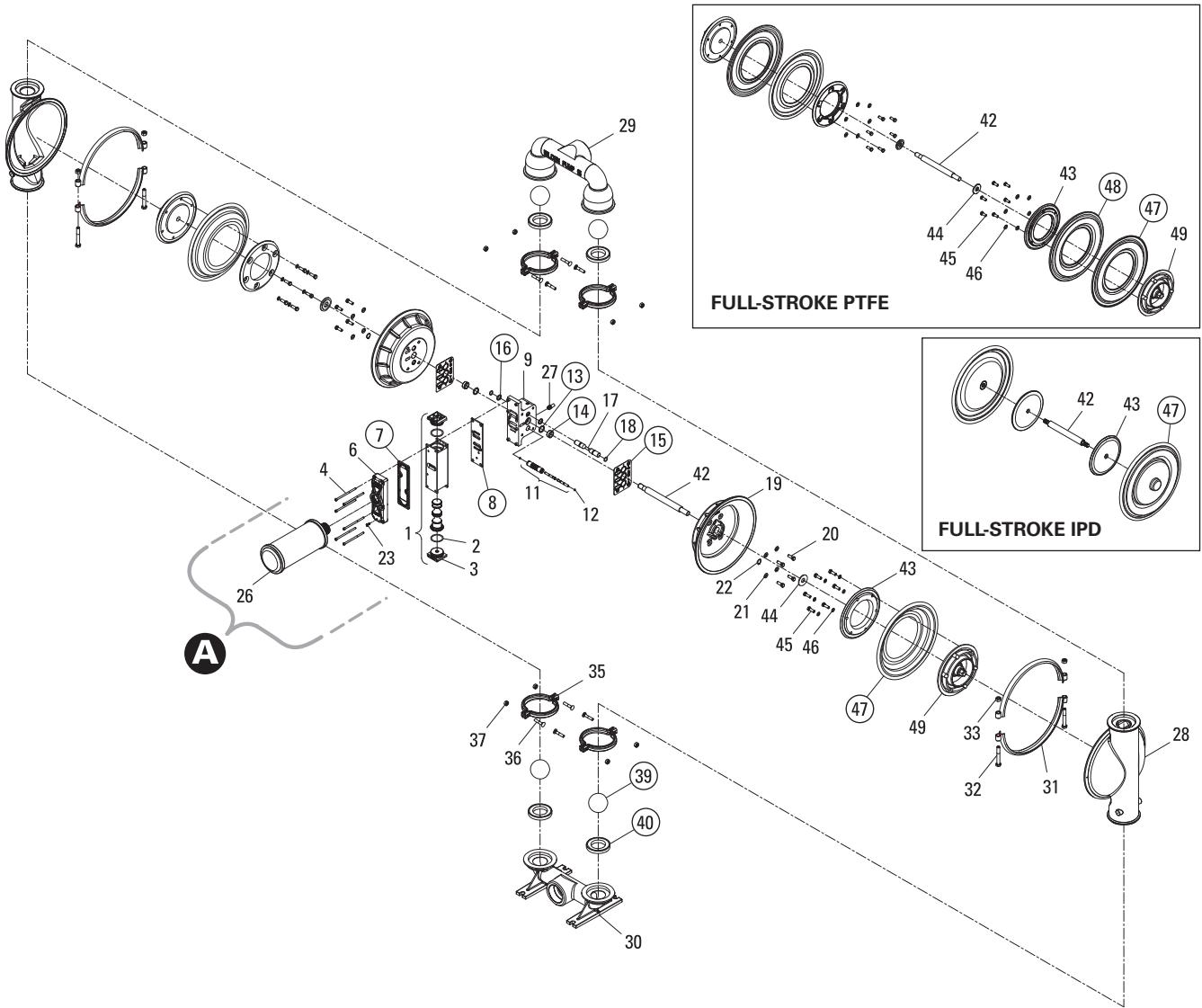
**NOTES**



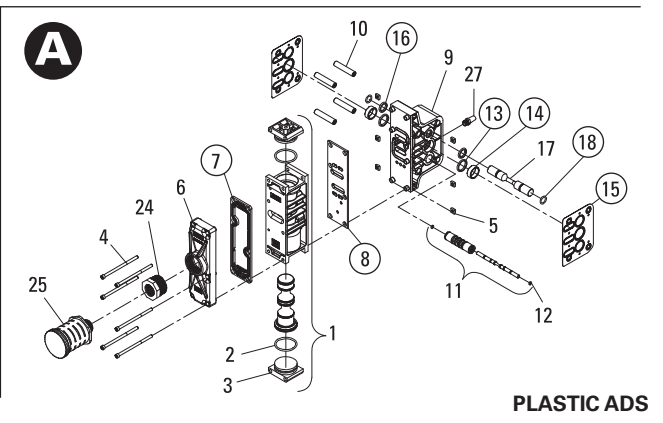
EXPLODED VIEW & PARTS LISTING

PS15 METAL

EXPLODED VIEW



METAL ADS



PLASTIC ADS

ALL CIRCLED PART IDENTIFIERS ARE INCLUDED IN REPAIR KITS

LW0038 REV. F



**EXPLODED VIEW & PARTS LISTING**

**PS15 METAL**

**PARTS LISTING**

| Item   | Description  | Qty | XPS15/AAAAA/<br>P/N | XPS15/WMAAA/<br>P/N | XPS15/SSAAA/<br>P/N | XPS15/SSSSS/<br>P/N | XPS15/SSSPP/<br>P/N | XPS15/SSAAA/<br>.../0070 P/N | XPS15/SSSSS/<br>.../0070 P/N | XPS15/SSSPP/<br>.../0070 P/N |
|--|--|-----|---------------------|---------------------|---------------------|---------------------|---------------------|------------------------------|------------------------------|------------------------------|
| <b>AIR DISTRIBUTION COMPONENTS</b>                   |  |     |                     |                     |                     |                     |                     |                              |                              |                              |
| 1  | <b>Air Valve Assembly, Pro-Flo® SHIFT<sup>1</sup></b>                      | 1   | 04-2039-01          | 04-2039-01          | 04-2039-01          | 04-2039-03          | 04-2039-20          | 04-2039-01                   | 04-2039-03                   | 04-2039-20                   |
| 2  | <b>O-Ring, End Cap (-225, Ø1.859" x Ø.139")</b>                            | 2   | 04-2390-52-700      | 04-2390-52-700      | 04-2390-52-700      | 04-2390-52-700      | 04-2390-52-700      | 04-2390-52-700               | 04-2390-52-700               | 04-2390-52-700               |
| 3  | End Cap  | 2   | 04-2340-01          | 04-2340-01          | 04-2340-01          | 04-2340-03          | 04-2330-20-700      | 04-2340-01                   | 04-2340-03                   | 04-2330-20-700               |
| 4  | Screw, SHC, Air Valve (1/4"-20 x 4-1/2")                                   | 4   | N/A                 | N/A                 | N/A                 | 01-6000-03          | N/A                 | N/A                          | 01-6000-03                   | N/A                          |
|  | Screw, SHC, Air Valve (1/4"-20 x 4-1/2")                                   | 6   | 01-6000-03          | 01-6000-03          | 01-6000-03          | N/A                 | 01-6000-03          | 01-6000-03                   | N/A                          | 01-6000-03                   |
| 5  | Nut, Square (1/4"-20)  | 6   | N/A                 | N/A                 | N/A                 | N/A                 | 00-6505-03          | N/A                          | N/A                          | 00-6505-03                   |
| 6  | Muffler Plate, Pro-Flo® SHIFT  | 1   | 04-3189-01          | 04-3189-01          | 04-3189-01          | 04-3189-03          | 04-3189-20          | 04-3189-01                   | 04-3189-03                   | 04-3189-20                   |
| 7  | <b>Gasket, Muffler Plate, Pro-Flo® SHIFT</b>                               | 1   | 04-3509-52          | 04-3509-52          | 04-3509-52          | 04-3509-52          | 04-3509-52          | 04-3509-52                   | 04-3509-52                   | 04-3509-52                   |
| 8  | <b>Gasket, Air Valve, Pro-Flo® SHIFT</b>                                   | 1   | 04-2639-52          | 04-2639-52          | 04-2639-52          | 04-2639-52          | 04-2639-52          | 04-2639-52                   | 04-2639-52                   | 04-2639-52                   |
| 9  | Center Block Assembly, Pro-Flo® SHIFT <sup>2,3</sup>                       | 1   | 15-3129-01          | 15-3129-01          | 15-3129-01          | 15-3129-03          | 15-3129-20          | 15-3129-01                   | 15-3129-03                   | 15-3129-20                   |
| 10   | Sleeve, Threaded, Center Block   | 4   | N/A                 | N/A                 | N/A                 | N/A                 | 04-7710-08          | N/A                          | N/A                          | 04-7710-08                   |
| 11   | <b>Pilot Sleeve Assembly</b>   | 1   | 15-3884-99          | 15-3884-99          | 15-3884-99          | 15-3884-99          | 15-3884-99          | 15-3884-99                   | 15-3884-99                   | 15-3884-99                   |
| 12   | <b>O-Ring, Pilot Spool Retaining (-009, Ø.208" x Ø.070")</b>               | 2   | 04-2650-49-700      | 04-2650-49-700      | 04-2650-49-700      | 04-2650-49-700      | 04-2650-49-700      | 04-2650-49-700               | 04-2650-49-700               | 04-2650-49-700               |
| 13   | <b>Seal, Shaft</b>   | 2   | 15-3210-55-225      | 15-3210-55-225      | 15-3210-55-225      | 15-3210-55-225      | 15-3210-55-225      | 15-3210-55-225               | 15-3210-55-225               | 15-3210-55-225               |
| 14   | <b>Bushing, Shaft</b>  | 2   | 15-3306-13          | 15-3306-13          | 15-3306-13          | 15-3306-13          | 15-3306-13          | 15-3306-13                   | 15-3306-13                   | 15-3306-13                   |
| 15   | <b>Gasket, Center Block Pro-Flo V™</b>                                     | 2   | 04-3529-52          | 04-3529-52          | 04-3529-52          | 04-3529-52          | 04-3529-52          | 04-3529-52                   | 04-3529-52                   | 04-3529-52                   |
| 16   | <b>O-Ring, (-210, Ø.734" x Ø.139")</b>                                     | 2   | 04-3209-49          | 04-3209-49          | 04-3209-49          | 04-3209-49          | 04-3209-49          | 04-3209-49                   | 04-3209-49                   | 04-3209-49                   |
| 17   | <b>Air Control Spool</b>   | 1   | 15-3859-03          | 15-3859-03          | 15-3859-03          | 15-3859-03          | 15-3859-03          | 15-3859-03                   | 15-3859-03                   | 15-3859-03                   |
| 18   | <b>O-Ring, Air Control Spool Retaining (-114, Ø.612" x Ø.103")</b>         | 2   | 04-3879-50          | 04-3879-50          | 04-3879-50          | 04-3879-50          | 04-3879-50          | 04-3879-50                   | 04-3879-50                   | 04-3879-50                   |
| 19   | Air Chamber, Pro-Flo V™  | 2   | 15-3660-01          | 15-3660-01          | 15-3660-01          | 15-3660-03          | 15-3660-03          | 15-3660-01                   | 15-3660-03                   | 15-3660-03                   |
| 20   | Screw, HHC (3/8"-16 x 1-1/8")  | 8   | 15-6130-08          | 15-6130-08          | 15-6130-08          | N/A                 | N/A                 | 15-6130-08                   | N/A                          | N/A                          |
|  | Screw, HHC (3/8"-16 x 1")  | 8   | N/A                 | N/A                 | N/A                 | 08-6130-03          | 08-6130-03          | N/A                          | 08-6130-03                   | 08-6130-03                   |
| 21   | Washer, Flat (Ø.406" x Ø.812" x .065")                                     | 8   | 15-6740-08-50       | 15-6740-08-50       | 15-6740-08-50       | 04-6740-03          | 04-6740-03          | 15-6740-08-50                | 04-6740-03                   | 04-6740-03                   |
| 22   | Retaining Ring   | 2   | 04-3890-03          | 04-3890-03          | 04-3890-03          | 04-3890-03          | 04-3890-03          | 04-3890-03                   | 04-3890-03                   | 04-3890-03                   |
| 23   | Grounding Screw, (10-32 x 1/2") Self Tapping                               | 1   | 04-6345-08          | 04-6345-08          | 04-6345-08          | 04-6345-08          | N/A                 | 04-6345-08                   | 04-6345-08                   | N/A                          |
| 24   | Bushing, Reducer 1-1/2" MNPT to 1" FNPT                                    | 1   | N/A                 | N/A                 | N/A                 | N/A                 | 04-6959-17          | N/A                          | N/A                          | 04-6959-17                   |
| 25   | Muffler 1" MNPT  | 1   | N/A                 | N/A                 | N/A                 | N/A                 | 15-3514-99          | N/A                          | N/A                          | 15-3514-99                   |
| 26   | Muffler 1-1/2" MNPT  | 1   | 04-3518-99R         | 04-3518-99R         | 04-3518-99R         | 04-3513-99          | N/A                 | 04-3518-99R                  | 04-3513-99                   | N/A                          |
| 27   | Muffler 1/4" MNPT  | 1   | 04-3240-07          | 04-3240-07          | 04-3240-07          | 04-3240-07          | 04-3240-07          | 04-3240-07                   | 04-3240-07                   | 04-3240-07                   |
| <b>WETTED PATH COMPONENTS</b>                        |  |     |                     |                     |                     |                     |                     |                              |                              |                              |
| 28   | Liquid Chamber   | 2   | 15-5000-01          | 15-5000-02          | 15-5000-03          | 15-5000-03          | 15-5000-03          | 15-5000-03P                  | 15-5000-03P                  | 15-5000-03P                  |
| 29   | Manifold, Discharge (NPT)  | 1   | 15-5020-01          | 15-5020-02          | 15-5020-03          | 15-5020-03          | 15-5020-03          | N/A                          | N/A                          | N/A                          |
|  | Manifold, Discharge (BSPT)   | 1   | 15-5020-01-14       | 15-5020-02-14       | 15-5020-03-14       | 15-5020-03-14       | 15-5020-03-14       | N/A                          | N/A                          | N/A                          |
|  | Manifold, Discharge (TRI-CLAMP)  | 1   | N/A                 | N/A                 | N/A                 | N/A                 | N/A                 | 15-5020-03-70P               | 15-5020-03-70P               | 15-5020-03-70P               |
| 30   | Manifold, Footed Inlet (NPT)   | 1   | 15-5080-01          | 15-5080-02          | 15-5080-03          | 15-5080-03          | 15-5080-03          | N/A                          | N/A                          | N/A                          |
|  | Manifold, Footed Inlet (BSPT)  | 1   | 15-5080-01-14       | 15-5080-02-14       | 15-5080-03-14       | 15-5080-03-14       | 15-5080-03-14       | N/A                          | N/A                          | N/A                          |
|  | Manifold, Footed Inlet (TRI-CLAMP)   | 1   | N/A                 | N/A                 | N/A                 | N/A                 | N/A                 | 15-5080-03-70P               | 15-5080-03-70P               | 15-5080-03-70P               |
| 31   | Large Clamp Band Assembly  | 2   | 15-7300-08          | 15-7300-08          | 15-7300-03          | 15-7300-03          | 15-7300-03          | 15-7300-03-70                | 15-7300-03-70                | 15-7300-03-70                |
| 32   | Screw, HHC Large (1/2"-13 x 3-1/2")  | 4   | 15-6120-08          | 15-6120-08          | 15-6120-03          | 15-6120-03          | 15-6120-03          | 15-6120-03                   | 15-6120-03                   | 15-6120-03                   |
| 33   | Large Hex Nut (1/2"-13)  | 4   | 15-6420-08          | 15-6420-08          | 15-6420-03          | 15-6420-03          | 15-6420-03          | 15-6671-10                   | 15-6671-10                   | 15-6671-10                   |
| 34   | Washer, Brass Flat (Ø.516" x Ø.875" x .063") (Not Shown)                   | 4   | N/A                 | N/A                 | N/A                 | N/A                 | N/A                 | 15-6720-07-70                | 15-6720-07-70                | 15-6720-07-70                |
| 35   | Small Clamp Band Assembly  | 4   | 15-7100-08          | 15-7100-08          | 15-7100-03          | 15-7100-03          | 15-7100-03          | 15-7100-03-70                | 15-7100-03-70                | 15-7100-03-70                |
| 36   | Screw, HHC Small (3/8"-16 x 2-1/4")  | 8   | 15-6050-08          | 15-6050-08          | 15-6050-03          | 15-6050-03          | 15-6050-03          | 15-6050-03                   | 15-6050-03                   | 15-6050-03                   |
| 37   | Small Hex Nut (3/8"-16)  | 8   | 08-6450-08          | 08-6450-08          | 08-6450-03          | 08-6450-03          | 08-6450-03          | 08-6671-10                   | 08-6671-10                   | 08-6671-10                   |
| 38   | Washer, Brass Flat (Ø.392" x Ø.875" x .063") (Not Shown)                   | 8   | N/A                 | N/A                 | N/A                 | N/A                 | N/A                 | 08-6720-07-70                | 08-6720-07-70                | 08-6720-07-70                |
| <b>GASKETS/VALVE BALLS/VALVE SEATS/VALVE O-RINGS</b> |  |     |                     |                     |                     |                     |                     |                              |                              |                              |
| 39   | <b>Ball, Valve</b>   | 4   | *                   | *                   | *                   | *                   | *                   | *                            | *                            | *                            |
| 40   | <b>Seat, Valve</b>   | 4   | *                   | *                   | *                   | *                   | *                   | 15-1121-03P                  | 15-1121-03P                  | 15-1121-03P                  |
| 41   | <b>O-Ring, Valve Seat PTFE Fitted (-342, Ø3.600" x Ø.210") (Not Shown)</b> | 4   | 15-1200-55          | 15-1200-55          | 15-1200-55          | 15-1200-55          | 15-1200-55          | 15-1200-55                   | 15-1200-55                   | 15-1200-55                   |
| <b>FULL-STROKE RUBBER/TPE/PTFE COMPONENTS</b>        |  |     |                     |                     |                     |                     |                     |                              |                              |                              |
| 42   | Shaft  | 1   | 15-3805-09          | 15-3805-09          | 15-3805-09          | 15-3805-09          | 15-3805-09          | 15-3805-09                   | 15-3805-09                   | 15-3805-09                   |
|  | Shaft, IPD   | 1   | N/A                 | N/A                 | N/A                 | N/A                 | N/A                 | 15-3814-09                   | 15-3814-09                   | 15-3814-09                   |
| 43   | Piston, Inner  | 2   | 15-3700-01          | 15-3700-01          | 15-3700-01          | 15-3700-03          | 15-3700-01          | 15-3700-01                   | 15-3700-03                   | 15-3700-01                   |
|  | Piston, IPD Inner  | 2   | N/A                 | N/A                 | N/A                 | N/A                 | N/A                 | 08-3700-01                   | 08-3700-03                   | 08-3700-01                   |
| 44   | Washer, Inner Piston Back-up   | 2   | 15-6850-08          | 15-6850-08          | 15-6850-08          | 15-6850-08          | 15-6850-08          | 15-6850-08                   | 15-6850-08                   | 15-6850-08                   |
| 45   | Screw, HHC (3/8"-16 x 1-1/8")  | 12  | 15-6130-08          | 15-6130-08          | 15-6130-08          | N/A                 | 15-6130-08          | 15-6130-08                   | N/A                          | 15-6130-08                   |
|  | Screw, HHC (3/8"-16 x 1")  | 12  | N/A                 | N/A                 | N/A                 | 08-6130-03          | N/A                 | N/A                          | 08-6130-03                   | N/A                          |
| 46   | Washer (Ø.406" x Ø.812" x .065")   | 12  | 15-6740-08-50       | 15-6740-08-50       | 15-6740-08-50       | 04-6740-03          | 15-6740-08-50       | 15-6740-08-50                | 04-6740-03                   | 15-6740-08-50                |
| 47   | <b>Diaphragm, Primary</b>  | 2   | *                   | *                   | *                   | *                   | *                   | *                            | *                            | *                            |
|  | <b>Diaphragm, IPD Primary</b>  | 2   | *                   | *                   | *                   | *                   | *                   | *                            | *                            | *                            |
| 48   | <b>Diaphragm, Back-Up</b>  | 2   | *                   | *                   | *                   | *                   | *                   | *                            | *                            | *                            |
| 49   | Piston, Outer  | 2   | 15-4550-01          | 15-4550-02          | 15-4550-03          | 15-4550-03          | 15-4550-03          | 15-4550-03P                  | 15-4550-03P                  | 15-4550-03P                  |

\*See elastomer chart - Section 9

<sup>2</sup>Metal Center Block Assembly includes items 13, 14 and 16.

**All boldface items are primary wear parts.**

LW0047 Rev. L

<sup>1</sup>Air Valve Assembly includes items 2 and 3.

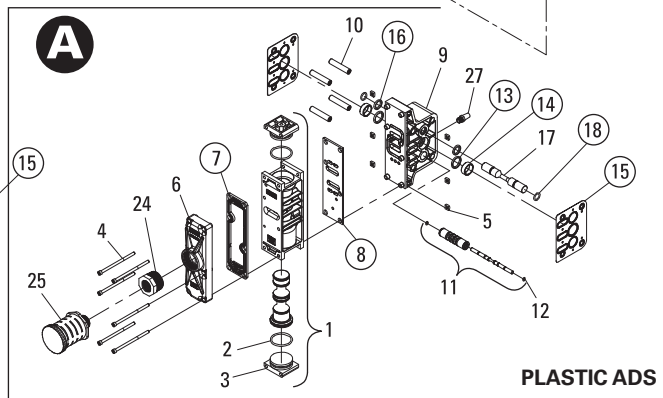
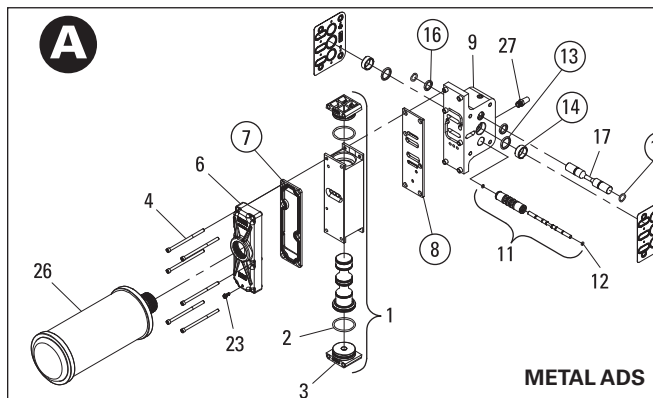
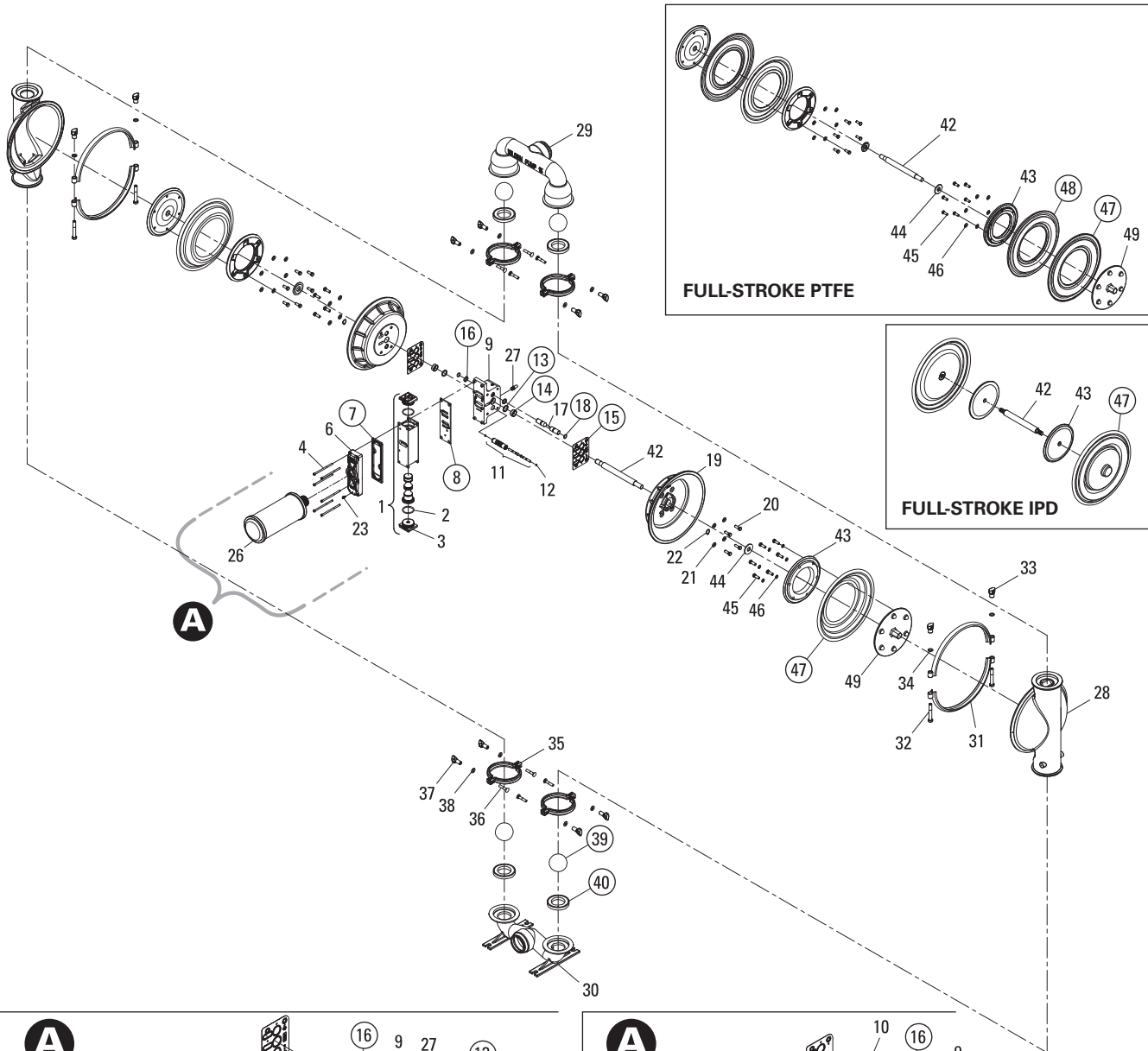
<sup>3</sup>Plastic Center Block Assembly includes items 10, 13, 14 and 16.

**EXPLODED VIEW & PARTS LISTING**

**PS15 METAL SANIFLO™**

1935/2004/EC

**EXPLODED VIEW**



ALL CIRCLED PART IDENTIFIERS ARE INCLUDED IN REPAIR KITS

LW0092 REV. D



# EXPLODED VIEW & PARTS LISTING

**WILDEN**

## PS15 METAL SANIFLO™

1935/2004/EC

## PARTS LISTING

| Item  | Description  | Qty. | XPS15/SSAAA/.../0070E<br>1935/2004/EC P/N | XPS15/SSSSS/.../0070E<br>1935/2004/EC P/N | XPS15/SSSPP/.../0070E<br>1935/2004/EC P/N |
|---|--|------|---|---|---|
| <b>AIR DISTRIBUTION COMPONENTS</b>            |  |      |   |   |   |
| 1   | Air Valve Assembly, Pro-Flo® SHIFT <sup>1</sup>                            | 1    | 04-2039-01                                | 04-2039-03                                | 04-2039-20                                |
| 2   | O-Ring, End Cap (-225, Ø.8159" x Ø.139")                                   | 2    | 04-2390-52-700                            | 04-2390-52-700                            | 04-2390-52-700                            |
| 3   | End Cap  | 2    | 04-2340-01                                | 04-2340-03                                | 04-2330-20-700                            |
| 4   | Screw, SHC, Air Valve (1/4"-20 x 4-1/2")                                   | 4    | N/A                                       | 01-6000-03                                | N/A                                       |
|   | Screw, SHC, Air Valve (1/4"-20 x 4-1/2")                                   | 6    | 01-6000-03                                | N/A                                       | 01-6000-03                                |
| 5   | Nut, Square (1/4"-20)  | 6    | N/A                                       | N/A                                       | 00-6505-03                                |
| 6   | Muffler Plate, Pro-Flo® SHIFT  | 1    | 04-3189-01                                | 04-3189-03                                | 04-3189-20                                |
| 7   | Gasket, Muffler Plate, Pro-Flo® SHIFT                                      | 1    | 04-3509-52                                | 04-3509-52                                | 04-3509-52                                |
| 8   | Gasket, Air Valve, Pro-Flo® SHIFT  | 1    | 04-2639-52                                | 04-2639-52                                | 04-2639-52                                |
| 9   | Center Block Assembly, Pro-Flo® SHIFT <sup>2,3</sup>                       | 1    | 15-3129-01                                | 15-3129-03                                | 15-3129-20                                |
| 10  | Sleeve, Threaded, Center Block   | 4    | N/A                                       | N/A                                       | 04-7710-08                                |
| 11  | Pilot Sleeve Assembly  | 1    | 15-3884-99                                | 15-3884-99                                | 15-3884-99                                |
| 12  | O-Ring, Pilot Spool Retaining (-009, Ø.208" x Ø.070")                      | 2    | 04-2650-49-700                            | 04-2650-49-700                            | 04-2650-49-700                            |
| 13  | Seal, Shaft  | 2    | 15-3210-55-225                            | 15-3210-55-225                            | 15-3210-55-225                            |
| 14  | Bushing, Shaft   | 2    | 15-3306-13                                | 15-3306-13                                | 15-3306-13                                |
| 15  | Gasket, Center Block Pro-Flo V™  | 2    | 04-3529-52                                | 04-3529-52                                | 04-3529-52                                |
| 16  | O-Ring, (-210, Ø.734" x Ø.139")  | 2    | 04-3209-49                                | 04-3209-49                                | 04-3209-49                                |
| 17  | Air Control Spool  | 1    | 15-3859-03                                | 15-3859-03                                | 15-3859-03                                |
| 18  | O-Ring, Air Control Spool Retaining (-114, Ø.612" x Ø.103")                | 2    | 04-3879-50                                | 04-3879-50                                | 04-3879-50                                |
| 19  | Air Chamber, Pro-Flo V™  | 2    | 15-3660-01                                | 15-3660-03                                | 15-3660-03                                |
| 20  | Screw, HHC (3/8"-16 x 1-1/8")  | 8    | 15-6130-08                                | N/A                                       | N/A                                       |
|   | Screw, HHC (3/8"-16 x 1")  | 8    | N/A                                       | 08-6130-03                                | 08-6130-03                                |
| 21  | Washer, Flat (Ø.406" x Ø.812" x .065")                                     | 8    | 15-6740-08-50                             | 04-6740-03                                | 04-6740-03                                |
| 22  | Retaining Ring   | 2    | 04-3890-03                                | 04-3890-03                                | 04-3890-03                                |
| 23  | Grounding Screw, (10-32 x 1/2") Self Tapping                               | 1    | 04-6345-08                                | 04-6345-08                                | N/A                                       |
| 24  | Bushing, Reducer 1-1/2" MNPT to 1" FNPT                                    | 1    | N/A                                       | N/A                                       | 04-6959-17                                |
| 25  | Muffler 1" MNPT  | 1    | N/A                                       | N/A                                       | 15-3514-99                                |
| 26  | Muffler 1-1/2" MNPT  | 1    | 04-3518-99R                               | 04-3513-99                                | N/A                                       |
| 27  | Muffler 1/4" MNPT  | 1    | 04-3240-07                                | 04-3240-07                                | 04-3240-07                                |
| <b>WETTED PATH COMPONENTS</b>                 |  |      |   |   |   |
| 28  | Liquid Chamber   | 2    | 15-5000-03P                               | 15-5000-03P                               | 15-5000-03P                               |
| 29  | Manifold, Discharge Tri-Clamp  | 1    | 15-5020-03-70P                            | 15-5020-03-70P                            | 15-5020-03-70P                            |
| 30  | Manifold, Footed Inlet Tri-clamp   | 1    | 15-5080-03-70P                            | 15-5080-03-70P                            | 15-5080-03-70P                            |
| 31  | Large Clamp Band Assembly  | 2    | 15-7300-03-70                             | 15-7300-03-70                             | 15-7300-03-70                             |
| 32  | Screw, HHC Large (1/2"-13 x 3-1/2")  | 4    | 15-6120-03                                | 15-6120-03                                | 15-6120-03                                |
| 33  | Wing Nut, Large Clamp Band (1/2"-13)                                       | 4    | 15-6671-10                                | 15-6671-10                                | 15-6671-10                                |
| 34  | Washer, Brass Flat (Ø.516" x Ø.875" x .063")                               | 4    | 15-6720-07-70                             | 15-6720-07-70                             | 15-6720-07-70                             |
| 35  | Small Clamp Band Assembly  | 4    | 15-7100-03-70                             | 15-7100-03-70                             | 15-7100-03-70                             |
| 36  | RHSN Bolt, Small Clamp Band (3/8"-16 x 2")                                 | 8    | 15-6050-03                                | 15-6050-03                                | 15-6050-03                                |
| 37  | Wing Nut, Small Clamp Band (3/8"-16)                                       | 8    | 08-6671-10                                | 08-6671-10                                | 08-6671-10                                |
| 38  | Washer, Brass Flat (Ø.392" x Ø.875" x .063")                               | 8    | 08-6720-07-70                             | 08-6720-07-70                             | 08-6720-07-70                             |
| <b>VALVE BALLS/VALVE SEATS/VALVE O-RINGS</b>  |  |      |   |   |   |
| 39  | Ball, Valve, Pkg 4   | 1    | *   | *   | *   |
| 40  | Seat, Valve, Pkg 4   | 1    | *   | *   | *   |
|   | Seat, Valve, Stainless Steel   | 4    | 15-1121-03E                               | 15-1121-03E                               | 15-1121-03E                               |
| 41  | O-Ring, Valve Seat PTFE Fitted (-342, Ø3.600" x Ø.210") (Not Shown), Pkg 4 | 1    | 15-1200-55E                               | 15-1200-55E                               | 15-1200-55E                               |
| <b>FULL-STROKE RUBBER/TPE/PTFE COMPONENTS</b> |  |      |   |   |   |
| 42  | Shaft  | 1    | 15-3805-09                                | 15-3805-09                                | 15-3805-09                                |
|   | Shaft, IPD   | 1    | 15-3814-09                                | 15-3814-09                                | 15-3814-09                                |
| 43  | Piston, Inner  | 2    | 15-3700-01                                | 15-3700-03                                | 15-3700-01                                |
|   | Piston, IPD Inner  | 2    | 08-3700-01                                | 08-3700-03                                | 08-3700-01                                |
| 44  | Washer, Inner Piston Back-up   | 2    | 15-6850-08                                | 15-6850-08                                | 15-6850-08                                |
| 45  | Screw, HHC (3/8"-16 x 1-1/8")  | 12   | 15-6130-08                                | N/A                                       | 15-6130-08                                |
|   | Screw, HHC (3/8"-16 x 1")  | 12   | N/A                                       | 08-6130-03                                | N/A                                       |
| 46  | Washer (Ø.406" x Ø.812" x .065")   | 12   | 15-6740-08-50                             | 04-6740-03                                | 15-6740-08-50                             |
| 47  | Diaphragm, Primary, Pkg 2  | 1    | *   | *   | *   |
|   | Diaphragm, IPD Primary, Pkg 2  | 1    | *   | *   | *   |
| 48  | Diaphragm, Back-Up, Pkg 2  | 1    | *   | *   | *   |
| 49  | Piston, Outer  | 2    | 15-4550-03P                               | 15-4550-03P                               | 15-4550-03P                               |

\*See elastomer chart - Section 9

<sup>2</sup>Metal Center Block Assembly includes items 13, 14 and 16.

**All boldface items are primary wear parts.**

LW0081 Rev. H

<sup>1</sup>Air Valve Assembly includes items 2 and 3. <sup>3</sup>Plastic Center Block Assembly includes items 10, 13, 14 and 16.



## ELASTOMER OPTIONS

## PS15 Metal

| MATERIAL                   | DIAPHRAGMS<br>(2) | FULL-STROKE<br>DIAPHRAGMS<br>(2) | FULL-STROKE<br>BACK-UP<br>DIAPHRAGMS<br>(2) | EZ-INSTALL<br>DIAPHRAGMS<br>(2) | FULL-STROKE<br>IPD<br>DIAPHRAGMS<br>(2) | VALVE BALLS<br>(4) | VALVE SEATS<br>(4) | VALVE SEAT<br>O-RING<br>(4) |
|----------------------------|-------------------|----------------------------------|---|---------------------------------|---|--------------------|--------------------|-----------------------------|
| Polyurethane               | N/A               | N/A                              | N/A   | 15-1022-50                      | N/A                                     | 15-1080-50         | 15-1120-50         | N/A                         |
| Neoprene                   | 15-1010-51        | N/A                              | N/A   | N/A                             | N/A                                     | 15-1080-51         | 15-1120-51         | N/A                         |
| Buna-N                     | 15-1010-52        | N/A                              | N/A   | N/A                             | N/A                                     | 15-1080-52         | 15-1120-52         | N/A                         |
| Conductive Buna-N          | 15-1010-86        | N/A                              | N/A   | N/A                             | N/A                                     | N/A                | N/A                | N/A                         |
| Geolast®                   | N/A               | N/A                              | N/A   | 15-1022-15                      | N/A                                     | N/A                | N/A                | N/A                         |
| EPDM                       | 15-1010-54        | N/A                              | N/A   | N/A                             | N/A                                     | 15-1080-54         | 15-1120-54         | N/A                         |
| Viton®                     | 15-1010-53        | N/A                              | N/A   | N/A                             | N/A                                     | 15-1080-53         | 15-1120-53         | N/A                         |
| PTFE <sup>2</sup>          | N/A               | 15-1040-55                       | N/A   | N/A                             | N/A                                     | 15-1080-55         | N/A                | 15-1200-55 <sup>1</sup>     |
| Saniflex™ <sup>2</sup>     | N/A               | N/A                              | 15-1065-56                                  | 15-1022-56                      | N/A                                     | 15-1080-56         | 15-1120-56         | N/A                         |
| FDA Wil-Flex™ <sup>2</sup> | N/A               | N/A                              | 15-1065-57                                  | 15-1022-57                      | 15-1031-57                              | 15-1080-57         | 15-1120-57         | N/A                         |
| Wil-Flex™                  | N/A               | N/A                              | N/A   | 15-1022-58                      | N/A                                     | 15-1080-58         | 15-1120-58         | N/A                         |
| Aluminum                   | N/A               | N/A                              | N/A   | N/A                             | N/A                                     | N/A                | 15-1121-01         | N/A                         |
| Stainless Steel            | N/A               | N/A                              | N/A   | N/A                             | N/A                                     | N/A                | 15-1121-03         | N/A                         |
| Mild Steel                 | N/A               | N/A                              | N/A   | N/A                             | N/A                                     | N/A                | 15-1121-08         | N/A                         |

<sup>1</sup>Used in conjunction with metallic valve seat.

LW0047 Rev. L

<sup>2</sup>Elastomer option for use in Saniflo™ FDA pumps (Specialty Code 0070).

## PS15 Metal Saniflo™ 1935/2004/EC

| MATERIAL      | FULL-STROKE<br>DIAPHRAGMS<br>(2) | FULL-STROKE<br>BACK-UP<br>DIAPHRAGMS<br>(2) | EZ-INSTALL<br>DIAPHRAGMS<br>(2) | FULL-STROKE<br>IPD<br>DIAPHRAGMS<br>(2) | VALVE BALLS<br>(4) | VALVE SEATS<br>(4) |
|---------------|----------------------------------|---|---------------------------------|---|--------------------|--------------------|
| PTFE          | 15-1040-55E                      | N/A   | N/A                             | N/A                                     | 15-1080-55E        | N/A                |
| Saniflex™     | N/A                              | 15-1065-56E                                 | 15-1022-56E                     | N/A                                     | 15-1080-56E        | 15-1120-56E        |
| FDA Wil-Flex™ | N/A                              | 15-1065-57E                                 | 15-1022-57E                     | 15-1031-57E                             | 15-1080-57E        | 15-1120-57E        |

LW0081 Rev. H



# WILDEN®

## DECLARATION OF COMPLIANCE

STATEMENT OF COMPLIANCE TO REGULATIONS (EC) No 1935/2004  
ON MATERIALS AND ARTICLES INTENDED TO COME INTO CONTACT WITH FOOD  
(as per Article 16 of REGULATION (EC) No 1935/2004)



**Wilden® Pump & Engineering, LLC**, 22069 Van Buren Street, Grand Terrace, CA 92313-5607 USA, declares the equipment listed below intended to come into contact with food comply with the requirements of Regulation (EC) No 1935/2004 of 27<sup>th</sup> October 2004 and (EC) No 2023/2006 of 22<sup>nd</sup> December 2006.

- **Saniflo™ HS Models:**  
(PX,XPX)(2,4,8,15)/(SS,SZ)(SSS,NNN)/(BNU,EPU,FBS,FES,FSS,FWL,FWS,LEL,TEU,TSS,TSU,TWS,ZSS)/  
(FB,FE,FS,FV,FW,SF,TF,TM)/(FB,FE,FV,TF)/(0770-0789)E
- **13 mm (½") FDA Pro-Flo® & Pro-Flo X™ Models:**  
(P,PX,XPX)1/(SS,SZ)(AAA,GGG,JJJ,LLL,PPP)/(FSS,TEU,TSU)/(FS,TF)/S(FS,TF)/(0067,0070,0120)E
- **25 mm (1") FDA Pro-Flo® Models:**  
P2/(SS,SZ)(LLL,PPP)/(FBS,FES,FSS,FWL,FWS,LEL,TEU,TSS,TSU,TWS)/(FS,TF)/S(FS,TF)/2070E
- **38 mm (1-½") FDA Pro-Flo® & Pro-Flo X™ Models:**  
(P,PX,XPX)4/(SS,SZ)(A,C,L,N,S,V)(AA,LL,NN,PP,SS)/(BNU,EPU,FBS,FES,FSS,FWL,FWS,LEL,TEU,TSS,TSU,TWS,ZSS)/  
(FB,FE,FS,FV,FW,TF,)/(FS,FW,STF)/(0067,0070,0075,0120)E
- **51 mm (2") FDA Pro-Flo® & Pro-Flo X™ Models:**  
(P,PX,XPX)8/SS(A,C,N,S,V)(AA,NN,PP,SS)/(BNU,EPU,FBS,FES,FSS,FWS,FWL,TEU,TSU,TSS,TWS,ZSS)/(FS,FW,TF)/  
(FS,FW,STF)/(0070,0075,0120)E
- **76 mm (3") FDA Pro-Flo X™ Models:**  
(PX,XPX)15/SS(A,C,N,S)(AA,SS,PP)/(BNU,EPU,FSS,FWL,FWS,TEU,TSU,TSS,TWS,ZSS)/(FS,FW,TF)/(FS,FW,STF)/  
(0070,0075,0120,0341)E
- **38 mm (1-½") FDA Pro-Flo® SHIFT Models:**  
XPS4/(SS,SZ)(AAA,NNN)/(FBS,FES,FWL,FWS,TSS,TWS,ZSS)/(FS,FW,TF)/(FS,FW,STF)/(0067,0070,0075,0120)E
- **51 mm (2") FDA Pro-Flo® SHIFT Models:**  
XPS8/(SS,SZ)(AAA,NNN)/(FBS,FES,FWL,FWS,TSS,TWS,ZSS)/(FS,FW,TF)/(FS,FW,STF)/(0070,0075,0120)E
- **76 mm (3") FDA Pro-Flo® SHIFT Models:**  
XPS15/(SS,SZ)(AAA,NNN)/(FWL,FWS,TSS,TWS,ZSS)/(FS,FW,TF)/(FS,FW,STF)/(0070,0120,0341)E

Materials used in the equipment that are intended to contact food belong to the groups of materials listed in Annex 1 (EC) 1935/2004.

(List of groups of materials and articles that may be covered by specific measures)

5) Rubbers  8) Metal and Alloy  10) Plastics

Compliance is subject to material and equipment storage, handling and usage recommended by **Wilden®** in the engineering operation and maintenance manual and supplemental technical publications.

This declaration is based on the following information:

Statements of raw material suppliers

**Wilden®** will make available to the competent authorities appropriate documentation to demonstrate compliance.

Approved By:

Chris Distaso  
Director of Engineering  
Date: March 17, 2015



**NOTES**

**NOTES**

**NOTES**

**WARRANTY**

Each and every product manufactured by Wilden Pump and Engineering, LLC is built to meet the highest standards of quality. Every pump is functionally tested to insure integrity of operation.

Wilden Pump and Engineering, LLC warrants that pumps, accessories and parts manufactured or supplied by it to be free from defects in material and workmanship for a period of five (5) years from date of installation or six (6) years from date of manufacture, whichever comes first. Failure due to normal wear, misapplication, or abuse is, of course, excluded from this warranty.

Since the use of Wilden pumps and parts is beyond our control, we cannot guarantee the suitability of any pump or part for a particular application and Wilden Pump and Engineering, LLC shall not be liable for any consequential damage or expense arising from the use or misuse of its products on any application. Responsibility is limited solely to replacement or repair of defective Wilden pumps and parts.

All decisions as to the cause of failure are the sole determination of Wilden Pump and Engineering, LLC.

Prior approval must be obtained from Wilden for return of any items for warranty consideration and must be accompanied by the appropriate MSDS for the product(s) involved. A Return Goods Tag, obtained from an authorized Wilden distributor, must be included with the items which must be shipped freight prepaid.

The foregoing warranty is exclusive and in lieu of all other warranties expressed or implied (whether written or oral) including all implied warranties of merchantability and fitness for any particular purpose. No distributor or other person is authorized to assume any liability or obligation for Wilden Pump and Engineering, LLC other than expressly provided herein.

**PLEASE PRINT OR TYPE AND FAX TO WILDEN**

| <b>PUMP INFORMATION</b>   |             |                               |                   |
|---|-------------|-------------------------------|-------------------|
| Item # _____  |             | Serial # _____                |                   |
| Company Where Purchased _____   |             |                               |                   |
| <b>YOUR INFORMATION</b>   |             |                               |                   |
| Company Name _____  |             |                               |                   |
| Industry _____  |             |                               |                   |
| Name _____  |             | Title _____                   |                   |
| Street Address _____  |             |                               |                   |
| City _____  | State _____ | Postal Code _____             | Country _____     |
| Telephone _____   | Fax _____   | E-mail _____                  | Web Address _____ |
| Number of pumps in facility? _____  |             | Number of Wilden pumps? _____ |                   |
| Types of pumps in facility (check all that apply): <input type="checkbox"/> Diaphragm <input type="checkbox"/> Centrifugal <input type="checkbox"/> Gear <input type="checkbox"/> Submersible <input type="checkbox"/> Lobe |             |                               |                   |
| <input type="checkbox"/> Other _____  |             |                               |                   |
| Media being pumped? _____   |             |                               |                   |
| How did you hear of Wilden Pump? <input type="checkbox"/> Trade Journal <input type="checkbox"/> Trade Show <input type="checkbox"/> Internet/E-mail <input type="checkbox"/> Distributor                                   |             |                               |                   |
| <input type="checkbox"/> Other _____  |             |                               |                   |

**ONCE COMPLETE, FAX TO (909) 783-3440**

NOTE: WARRANTY VOID IF PAGE IS NOT FAXED TO WILDEN  
WILDEN PUMP & ENGINEERING, LLC

## Where Innovation Flows



PSG reserves the right to modify the information and illustrations contained in this document without prior notice. This is a non-contractual document. 07-2015

# WILDEN®

PSG

22069 Van Buren St., Grand Terrace, CA 92313-5607

P: +1 (909) 422-1731 • F: +1 (909) 783-3440

[wildenpump.com](http://wildenpump.com)

Authorized PSG Representative:

Copyright ©2015, PSG, A Dover Company